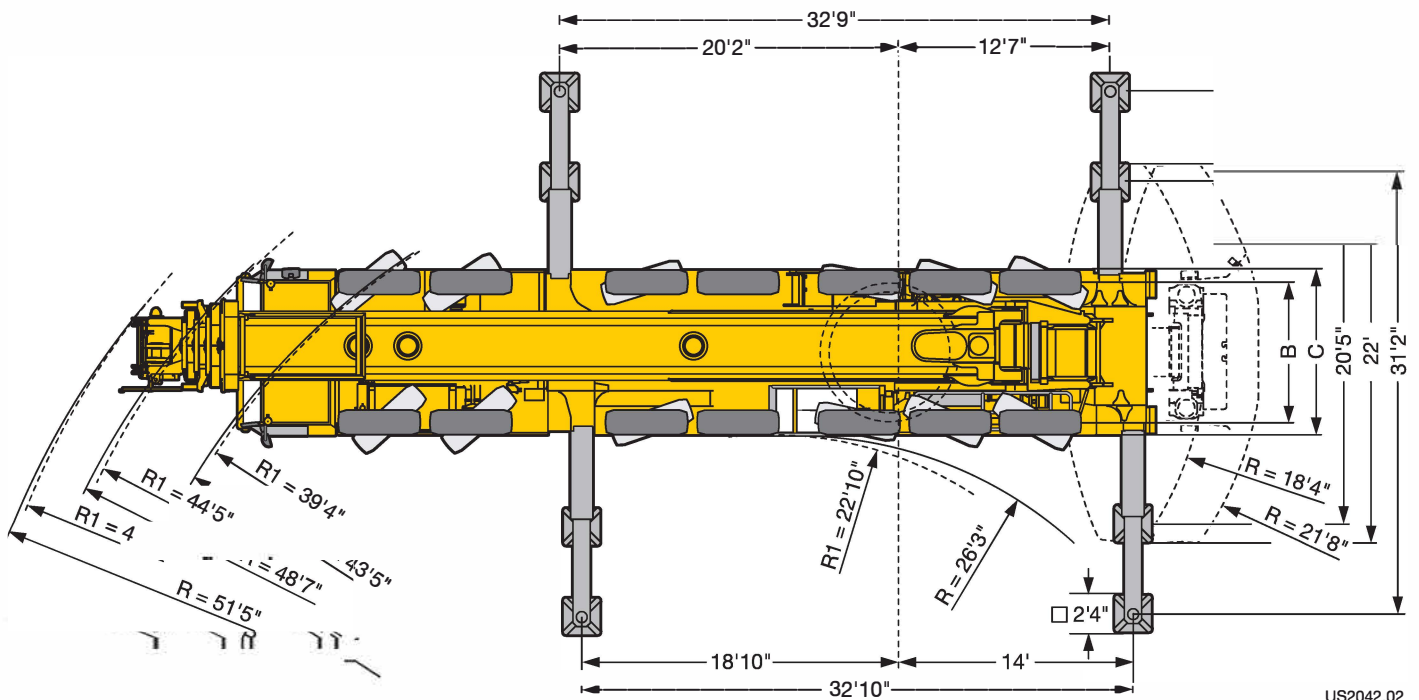
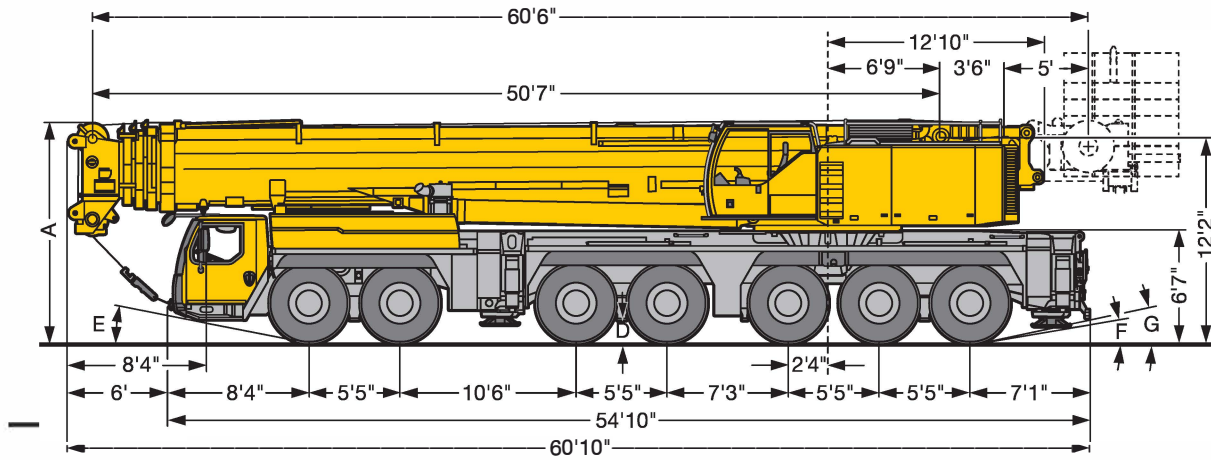


STERLING CRANE



Dimensions Encombrement



US2042.02

R₁ = All-wheel steering · Direction toutes roues

	Dimensions / Encombrement								
	A	A	B	C	D	E	F	G	
445/95 R 25 (16.00 R 25)	13'1"	6" / 4"*	8'4"	9'10"	1'4"	12°	10°	11°	
525/80 R 25 (20.5 R 25)	13'1"	12'10"	8'5"	10'2"	1'4"	12°	10°	11°	

* lowered · abaissé

STERLING CRANE



Weights Poids



Axle Essieu lbs	1	2	3	4	5	6	7	Total weight lbs Poids total lbs
	26400	26400	26400	26400	26400	26400	26400	184800 lbs




Load kips Forces de levage kips	No. of sheaves Poulies	No. of lines Brins	Weight lbs Poids lbs
525.5	11	22	8150
443	9	18	7270
376	7	14	5950
285	5	10	5065
187	3	6	3965
82	1	3	3085
28	-	1	1320

Working speeds Vitesses









	 min.	 max.	 %
445/95 R 25 (16.00 R 25) 525/80 R 25 (20.5 R 25)	3.5	50	39.7 %




12 / R2



Drive Mécanismes	infinitely variable en continu	Rope diameter / Rope length Diamètre du câble / Longueur du câble	Max. single line pull Effort au brin maxi.
	0 – 426 ft/min single line ft/min au brin simple	0.98" / 1542 ft	28415 lbs
	0 – 426 ft/min single line ft/min au brin simple	0.98" / 1542 ft	28415 lbs
	0 – 492 ft/min single line ft/min au brin simple	0.98" / 2542 ft	28415 lbs
	0 – 1.5 rpm		
	approx. 70 seconds to reach 82° boom angle env. 70 s jusqu'à 82°		
	approx. 360 seconds for boom extension from 51 ft – 197 ft env. 360 s pour passer de 51 ft – 197 ft		