

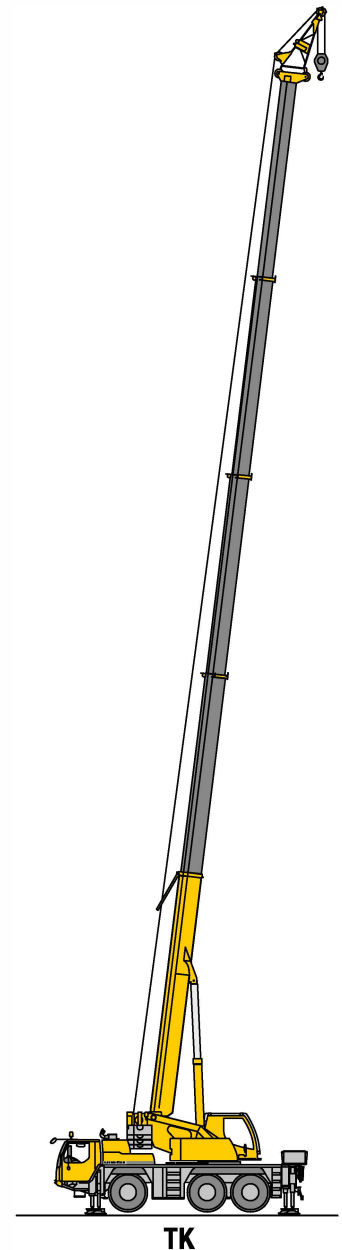
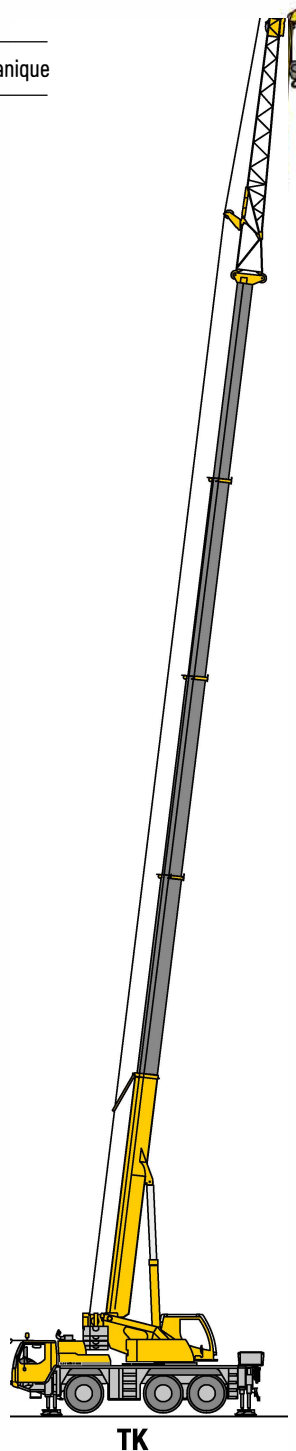
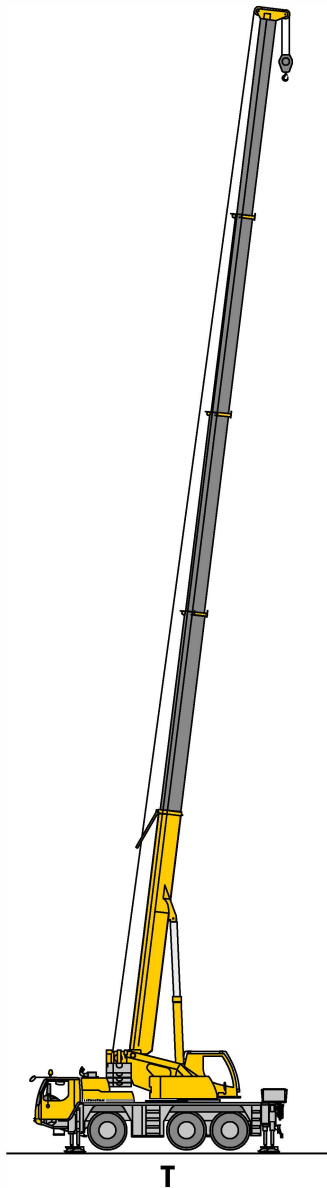


Boom/jib combinations Configurations de flèche

- T Telescopic boom · Flèche télescopique

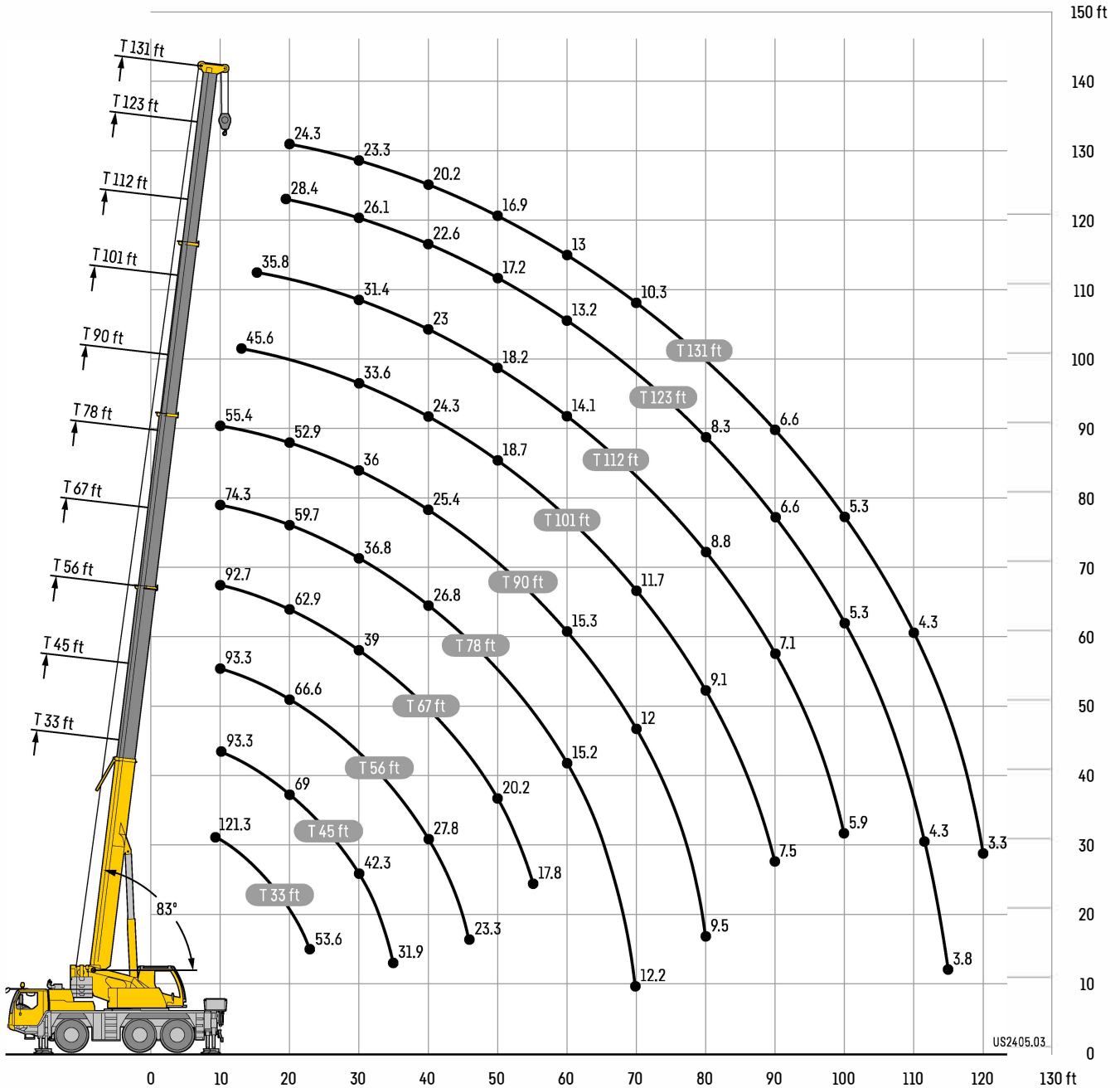
- K Mechanical swing away jib · Flechette pliante mecanique

- K Assembly jib · Fléchette de montage





Lifting heights Hauteurs de levage





Lifting capacities Forces de levage



9 10 11 12 13 14 15 16 17 18 19 20 22 24 26 28 30 32 34 36 38 40 45 50 55 60 65 70 75 80 85 90 95 100 105 110 115 120	33 ft		45 ft	56 ft	67 ft	78 ft	90 ft	101 ft	112 ft	123 ft	131 ft	9 10 11 12 13 14 15 16 17 18 19 20 22 24 26 28 30 32 34 36 38 40 45 50 55 60 65 70 75 80 85 90 95 100 105 110 115 120
	*											
9	121.3											9
10	121.3	93.3	93.3	93.3	92.7	74.3	55.4					10
11	121.2	93.3	93.3	93.3	91.8	74.8	56					11
12	107.3	93.3	93.3	92.4	89.1	75.3	56.6					12
13	100.2	93.3	92.2	87.2	83.5	75.1	57.1	45.6				13
14	93.6	92.3	89.5	82.5	78.4	74.2	57.4	46				14
15	87.6	87.6	84.6	78.8	74.9	72.3	57.6	46.4	35.8			15
16	82.8	82.8	80.9	76.2	71.6	68.2	57.4	46.5	36.1			16
17	79.4	79.4	77.1	72.7	68.9	65.6	56.5	46.1	36.3			17
18	76	75.9	74.3	70.5	66.9	63.5	55.4	45.6	36.5	28.4		18
19	72.7	72.4	71.7	68.5	64.9	61.5	54.2	45.1	36.4	28.5	24.3	19
20	69.5	68.8	69	66.6	62.9	59.7	52.9	44.3	36.3	28.5	24.4	20
22	62.6	61.8	62.5	60	58	54.5	50.2	42.4	35.5	28.5	24.5	22
24	53.6	53.6	56.9	54.7	51.9	48.7	45.9	40.6	34.5	28.1	24.5	24
26			51.4	49.3	46.8	44.1	41.6	38.9	33.5	27.5	24.1	26
28			46.5	44.8	42.6	40.2	38.6	36.6	32.4	26.8	23.8	28
30			42.3	40.9	39	36.8	36	33.6	31.4	26.1	23.3	30
32			38.5	37.7	35.9	34	33.6	31	30.1	25.4	22.9	32
34			35	34.8	33.2	31.7	31.1	29.2	28.3	24.7	22.2	34
36			31.9	32.4	30.8	30.2	29	27.8	26.3	24	21.5	36
38				30	28.7	28.6	27.1	25.9	24.6	23.3	20.8	38
40				27.8	27	26.8	25.4	24.3	23	22.6	20.2	40
45				23.3	23.1	23.1	21.8	21.5	20.8	19.8	18.8	45
50					20.2	20.2	18.9	18.7	18.2	17.2	16.9	50
55					17.8	17.4	16.9	16.5	16	15	14.8	55
60						15.2	15.3	14.7	14.1	13.2	13	60
65						13.4	13.5	13.2	12.6	11.7	11.5	65
70						12.2	12	11.7	11.3	10.4	10.3	70
75							10.8	10.4	10.1	9.3	9.2	75
80							9.5	9.1	8.8	8.3	8.2	80
85								8.2	7.9	7.4	7.4	85
90								7.5	7.1	6.6	6.6	90
95									6.5	5.9	5.9	95
100									5.9	5.3	5.3	100
105										4.8	4.7	105
110										4.3	4.3	110
115										3.8	3.8	115
120											3.3	120

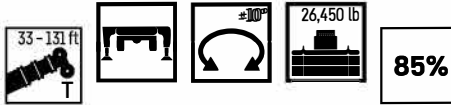
* 0° = over rear - sur arrière

t_204_01140_01_000 / t_204_01142_01_000

STERLING CRANE



Lifting capacities Forces de levage



	33 ft	45 ft	56 ft	67 ft	78 ft	90 ft	101 ft	112 ft	123 ft	131 ft	
10	93.3	93.3	93.1	84.2	67.6	50.3					10
11	93.3	93.3	92.4	83.7	68	50.9					11
12	93.3	93.3	92.2	83	68.4	51.5					12
13	93.2	92.2	86.9	81.8	68.3	51.9	41.4				13
14	92.2	89.5	82.5	78.2	67.9	52.2	41.8				14
15	87.5	84.6	78.8	73.8	67.5	52.3	42.1	32.6			15
16	82.8	80.2	75.3	70.3	67.1	52.1	42.2	32.8			16
17	79.3	77.1	72.1	68.5	65.5	51.4	41.9	33			17
18	75.8	74.3	70.5	66.6	63.5	50.4	41.5	33.2	25.8		18
19	72.2	71.7	68.5	64.7	61.5	49.3	41	33.1	25.9	22.1	19
20	69	69.2	66.6	62.6	59.7	48.1	40.3	33	25.9	22.2	20
22	61.9	62.7	60	58.1	54.5	45.6	38.6	32.2	25.9	22.2	22
24	52.9	53.9	53.3	51.9	48.7	43.4	36.9	31.4	25.5	22.3	24
26		47.6	47.5	46.8	44.1	40.9	35.4	30.5	25	22	26
28		42.2	42.9	42.5	40.2	37.8	33.9	29.5	24.4	21.6	28
30		37.8	38.4	38.4	36.8	34.8	32.4	28.5	23.7	21.2	30
32		34.1	34.8	34.6	33.8	32.7	30.8	27.6	23.1	20.8	32
34		31	31.5	31.5	31	30.6	28.7	26.6	22.5	20.2	34
36		28.3	28.9	28.9	28.3	28.9	26.7	25.7	21.8	19.5	36
38			26.7	26.6	26.4	26.8	24.9	24.4	21.2	18.9	38
40			24.6	24.6	25.1	24.8	23.7	23	20.6	18.4	40
45			20.6	20.5	21.2	20.7	20.4	19.7	19	17.2	45
50				18.2	18.1	17.6	17.8	17.6	17.2	16	50
55				15.8	15.7	15.4	15.4	15.4	15	14.8	55
60					13.7	13.9	13.6	13.4	13	13	60
65					12.2	12.3	12.1	11.9	11.4	11.4	65
70					11	11	10.7	10.5	10.1	10	70
75						9.9	9.6	9.4	8.9	8.8	75
80						8.9	8.6	8.4	7.9	7.9	80
85							7.8	7.6	7.1	7.1	85
90							7	6.8	6.3	6.3	90
95								6.1	5.6	5.6	95
100								5.5	5	5	100
105									4.5	4.5	105
110									4	4	110
115									3.6	3.6	115
120										3.2	120

t_204_12001_00_000

STERLING CRANE



Lifting capacities Forces de levage



	33 ft	45 ft	56 ft	67 ft	78 ft	90 ft	101 ft	112 ft	123 ft	131 ft	
10	93.3	93.3	93.3	92.7	74.3	55.4					10
11	93.3	93.3	93.3	91.8	74.8	56					11
12	93.3	93.3	92.4	89.1	75.3	56.6					12
13	93.3	92.2	87.2	83.5	75.1	57.1	45.6				13
14	92.3	89.5	82.5	78.4	74.2	57.4	46				14
15	87.5	84.6	78.8	74.9	72.1	57.6	46.4	35.8			15
16	82	80.8	75.1	71.4	66.6	57.4	46.5	36.1			16
17	77.1	75.7	69.9	66.8	61.7	55.7	46.1	36.3			17
18	72.4	69.4	65.7	62	57.3	53.1	45.6	36.5	28.4		18
19	67.9	64.6	61.4	57.7	53.4	49.9	45.1	36.4	28.5	24.3	19
20	63.6	60.4	57.4	53.8	49.9	47.6	43.6	36.3	28.5	24.4	20
22	55.6	52.7	50.3	47.4	44.6	42.9	39.6	35.5	28.5	24.5	22
24	48.5	46.6	44.6	42.2	39.9	38.7	36.3	34.2	28.1	24.5	24
26		41.7	40.1	38	37.2	35.2	33.3	31.4	27.5	24.1	26
28		37.6	36.3	34.5	34.1	31.9	30.4	28.6	26.8	23.8	28
30		34.3	33.1	31.5	31.2	29.3	28.3	27.2	25.6	23.3	30
32		31.1	30.4	29.6	28.7	26.9	26.2	25.3	23.8	22.7	32
34		28.2	28	27.7	26.4	25.1	24.3	23.4	22	21.5	34
36		25.7	25.9	25.6	24.4	23.8	22.7	21.7	20.4	19.9	36
38			24.1	23.8	22.7	22.2	21.1	20.2	19	18.5	38
40			22.3	22.2	21.1	20.7	19.7	18.8	17.7	17.3	40
45			18.2	18.8	18.1	17.6	16.7	16	14.9	14.7	45
50				15.7	15.6	15.2	14.3	13.7	12.8	12.5	50
55				13.5	13.4	13.2	12.5	11.9	11	10.8	55
60					11.6	11.6	10.9	10.4	9.5	9.4	60
65					10.1	9.9	9.5	9.1	8.3	8.2	65
70					8.8	8.7	8.3	8	7.2	7.1	70
75						7.7	7.3	7	6.4	6.2	75
80							6.9	6.5	6.2	5.5	80
85								5.8	5.5	4.9	85
90								5.2	4.9	4.3	90
95									4.3	3.7	95
100									3.8	3.2	100
105										2.7	105
110										2.3	110
115										1.9	115
120										1.6	120

t_204_01143_01_000

STERLING CRANE



Lifting capacities Forces de levage

85%

	33 ft	45 ft	56 ft	67 ft	78 ft	90 ft	101 ft	112 ft	123 ft	131 ft	
10	93.3	93.3	93.1	84.2	67.6	50.3					10
11	93.3	93.3	92.4	83.7	68	50.9					11
12	93.3	93.3	92.2	83	68.4	51.5					12
13	93.2	92.2	86.9	81.8	68.3	51.9	41.4				13
14	91.6	89.5	82.5	78.2	67.9	52.2	41.8				14
15	86.4	84.6	78.8	73.8	67.4	52.3	42.1	32.6			15
16	81.7	79.8	74	70.3	65.8	52.1	42.2	32.8			16
17	77.2	75.8	69.3	66.7	61.7	51.4	41.9	33			17
18	72.3	69.4	64.8	62	57.3	50.3	41.5	33.2	25.8		18
19	66.5	64.1	59.8	57.7	53.4	49	41	33.1	25.9	22.1	19
20	60.6	59.5	56.5	53.8	49.9	46.6	40.3	33	25.9	22.2	20
22	50.4	52.2	50.3	47.4	44.3	41.9	38.6	32.2	25.9	22.2	22
24	42.9	44.7	44.6	42.3	39.5	37.9	35.5	31.4	25.5	22.3	24
26		38.9	39.7	38	35.8	35.2	32.1	30.4	25	22	26
28		34.3	35	34.5	32.9	32	30	28.7	24.4	21.6	28
30		30.6	31.3	31.2	31	29.4	28	26.3	23.7	21.2	30
32		27.5	28.2	28.1	28.7	27	25.7	24.2	23.1	20.8	32
34		24.9	25.5	25.6	26.3	25	24	23	22.1	20.2	34
36		22.7	23.5	24.2	24	23.2	22.8	21.9	20.8	19.5	36
38			21.6	22.2	22.1	21.5	21.2	20.6	19.4	18.8	38
40			19.9	20.6	20.4	20.3	19.9	19.2	18.1	17.8	40
45			16.5	17.1	17	17.2	16.9	16.5	15.4	15.2	45
50				14.5	14.5	14.6	14.3	14.1	13.3	13.1	50
55				12.5	12.6	12.6	12.3	12.1	11.5	11.4	55
60					10.9	11	10.7	10.5	10	9.9	60
65					9.6	9.6	9.3	9.1	8.5	8.4	65
70					8.5	8.5	8.2	8	7.4	7.4	70
75						7.5	7.3	7	6.5	6.4	75
80							6.4	6.2	5.7	5.7	80
85							5.7	5.5	5	5	85
90							5.1	4.8	4.3	4.4	90
95								4.2	3.8	3.8	95
100								3.7	3.3	3.3	100
105									2.8	2.8	105
110									2.4	2.4	110
115									2.1	2	115
120										1.7	120

t_204_12003_00_000

85%

	33 ft	45 ft	56 ft	67 ft	78 ft	90 ft	101 ft	112 ft	123 ft	131 ft	
10	93.3	93.3	93.1	84.2	67.6	50.3					10
11	93.3	93.3	92.4	83.7	68	50.9					11
12	93	91.9	92.2	83	68.4	51.5					12
13	88.9	88.9	86.9	81.8	68.3	51.9	41.4				13
14	83.8	83.7	81.8	77.3	67.9	52.2	41.8				14
15	78.2	78.3	76.1	71	67.1	52.3	42.1	32.6			15
16	73.3	74	70.2	67.6	62.2	52.1	42.2	32.8			16
17	68.7	69.4	65.3	62.5	57.7	51.2	41.9	33			17
18	64.2	64.8	60.6	58	53.5	49.6	41.5	33.2	25.8		18
19	60.2	59.9	57.5	54	49.9	46.4	41	33.1	25.9	22.1	19
20	55.9	56.3	53.7	50.3	46.6	43.8	40.2	33	25.9	22.2	20
22	47.1	48.8	47	44.3	41.3	39.8	36.8	32.2	25.9	22.2	22
24	40	41.8	41.7	39.4	37.2	36.1	33	31.2	25.5	22.3	24
26		36.3	37.1	35.4	34.6	32.7	30.9	29	25	22	26
28		32	32.7	32.1	31.7	29.6	28	26.2	24.4	21.6	28
30		28.5	29.2	29.1	28.9	27	25.8	24.8	23.4	21.2	30
32		25.6	26.4	26.8	26.4	24.7	24	23.2	21.8	20.7	32
34		23.1	23.9	24.6	24.3	22.8	22.3	21.5	20.1	19.6	34
36		20.9	21.7	22.4	22.3	21.8	20.8	19.8	18.6	18.2	36
38			19.8	20.5	20.3	20.4	19.3	18.4	17.3	16.9	38
40			18.2	18.9	18.7	18.9	18	17.1	16	15.7	40
45			14.9	15.5	15.5	15.6	15.2	14.5	13.5	13.2	45
50				13	13	13.1	12.8	12.4	11.5	11.3	50
55				11.1	11.1	11.2	10.9	10.7	9.8	9.7	55
60					9.6	9.6	9.3	8.9	8.3	8.2	60
65					8.3	8.3	8	7.7	7.1	7.1	65
70					7.3	7.3	7	6.7	6.1	6.1	70
75						6.4	6.1	5.8	5.3	5.2	75
80							5.3	5.1	4.6	4.5	80
85							4.6	4.4	3.9	3.9	85
90							4	3.8	3.3	3.3	90
95								3.3	2.8	2.8	95
100								2.8	2.3	2.3	100
105									1.9	1.9	105

STERLING CRANE



Lifting capacities Forces de levage

85%

	33 ft	45 ft	56 ft	67 ft	78 ft	90 ft	101 ft	112 ft	123 ft	131 ft	
10	93.3	93.3	93.1	84.2	67.6	50.3					10
11	93.3	93.3	92.4	83.7	68	50.9					11
12	93.3	93.3	92.2	83	68.4	51.5					12
13	93.1	92.2	86.9	81.8	68.3	51.9	41.4				13
14	90.8	89.5	81.8	77.3	67.9	52.2	41.8				14
15	85.7	83.6	76.1	71	67.1	52.3	42.1	32.6			15
16	80.8	76.5	70.2	67.6	62.2	52.1	42.2	32.8			16
17	75.7	70.9	65.3	62.5	57.7	51.2	41.9	33			17
18	69.9	64.9	60.6	58	53.5	49.6	41.5	33.2	25.8		18
19	62.6	59.9	57.5	54	49.9	46.4	41	33.1	25.9	22.1	19
20	56.6	56.3	53.7	50.3	46.6	43.8	40.2	33	25.9	22.2	20
22	47.1	48.8	47	44.3	41.3	39.8	36.8	32.2	25.9	22.2	22
24	40	41.8	41.7	39.4	37.2	36.1	33	31.2	25.5	22.3	24
26		36.3	37.1	35.4	34.6	32.8	31	29.1	25	22	26
28		32	32.7	32.1	31.8	29.7	28.3	26.6	24.4	21.6	28
30		28.5	29.2	29.1	29.1	27.3	26	24.9	23.7	21.2	30
32		25.6	26.4	26.8	26.7	25.1	24.5	23.6	22.3	20.8	32
34		23.2	23.9	24.7	24.5	23.1	22.8	22	20.6	20	34
36		21.1	21.9	22.5	22.4	22.1	21.3	20.4	19.2	18.8	36
38			20.1	20.7	20.5	20.7	19.9	19.1	17.9	17.5	38
40			18.5	19.1	19	19.2	18.6	17.8	16.7	16.4	40
45			15.3	15.9	15.9	16	15.7	15.2	14.2	13.9	45
50				13.4	13.5	13.5	13.2	13	12.2	12	50
55				11.6	11.6	11.6	11.3	11.2	10.5	10.3	55
60					10	10.1	9.8	9.5	8.9	8.8	60
65					8.8	8.8	8.5	8.2	7.7	7.6	65
70					7.8	7.8	7.5	7.2	6.7	6.6	70
75						6.9	6.6	6.3	5.8	5.7	75
80						6.1	5.8	5.5	5.1	5	80
85							5.1	4.9	4.4	4.4	85
90							4.5	4.2	3.8	3.8	90
95								3.7	3.2	3.2	95
100								3.2	2.7	2.7	100
105									2.3	2.3	105
110									1.9	1.9	110
115									1.6	1.6	115

t_204_12004_00_000

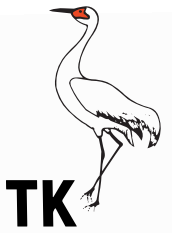
85%

	33 ft			360°	45 ft			360°	
	0°	0°	12,125 lb		0°	15,430 lb	12,125 lb		
10	30,5	22,9	20,6		28,1	21,2	19,2		10
11	28,1	20,9	18,8		26,1	19,6	17,7		11
12	25,4	18,8	16,9		24,3	18,2	16,4		12
13	23	16,9	15,2		22,6	16,8	15,2		13
14	21,1	15,3	13,8		21	15,4	14		14
15	19,3	14	12,6		19,2	14,2	12,9		15
16	17,5	12,9	11,6		17,6	13,1	11,9		16
17	16,1	11,8	10,6		16,3	12,2	11		17
18	14,9	11	9,7		15,1	11,3	10,1		18
19	13,9	10,2	8,7	8,3	14,2	10,5	9,1		19
20	13	9	8,1	7,7	13,3	9,6	8,4		20
22	11,5	7,9	6,8	6,5	11,8	8,3	7,3	6,5	22
24	10,3	6,8	5,6	5,5	10,5	7,3	6,5	5,7	24
26					9	6,4	5,7	5,4	26
28					8,2	5,7	5	4,7	28
30					7,4	5,1	4,2	3,9	30
32					6,8	4,5	3,5	3,2	32
34					6,2	3,8	2,7	2,5	34
36					5,7	3,2	2,3	2,2	36

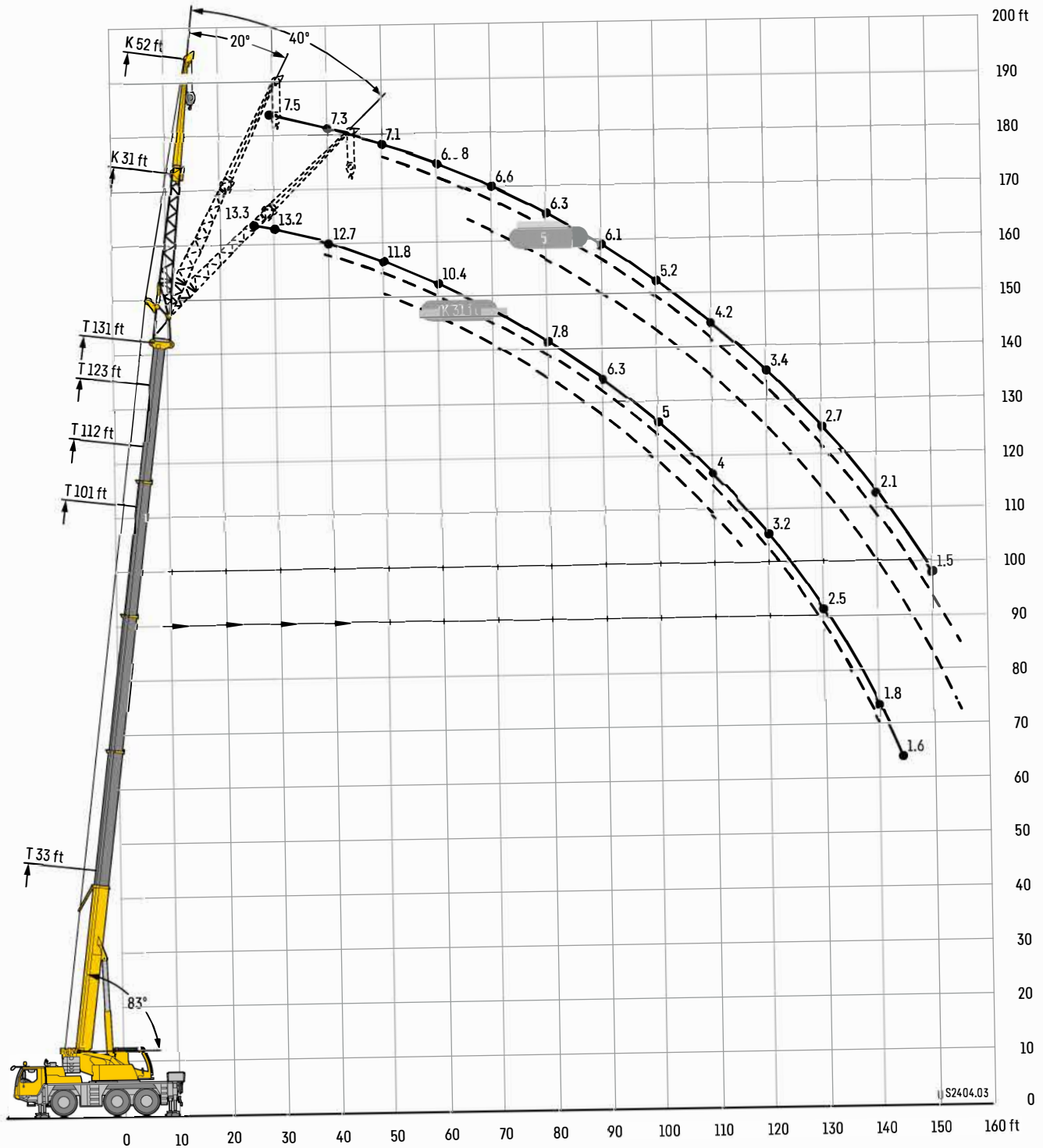
0° = over rear - sur arrière

t_204_01113_01_000 / 01115_01_000 / 01118_01_000 / 01136_01_001
t_204_13801_01_000 / 13803_01_000 / 13806_01_000 / 13906_01_001

STERLING CRANE



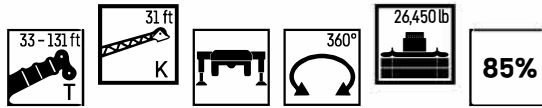
Lifting heights Hauteurs de levage



STERLING CRANE



Lifting capacities Forces de levage



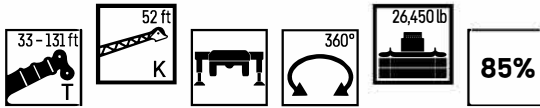
	33 ft			101 ft			112 ft			123 ft			129 ft			131 ft			
	0°	20°	40°	0°	20°	40°	0°	20°	40°	0°	20°	40°	0°	20°	40°	0°	20°	40°	
10	19.3																		10
11	18.8	17.6																	11
12	18.4	17.4																	12
13	18	17																	13
14	17.6	16.7																	14
15	17.2	16.4																	15
16	16.8	16.1																	16
17	16.4	15.8		19.8															17
18	16	15.5		19.8															18
19	15.6	15.2	13.9	19.8															19
20	15.2	15	13.7	19.8			18												20
22	14.4	14.4	13.3	19.8			17.9												22
24	13.7	14	12.9	19.8			17.7			14.9			13.5						24
26	12	13.5	12.5	19.7	17		17.6			14.9			13.6				13.3		26
28	10	13.1	12.2	19.4	16.7		17.5	15.4		14.8			13.6				13.3		28
30	9.7	12.7	11.9	19	16.4		17.3	15.3		14.7			13.5				13.2		30
32	9.7	12.3	11.6	18.5	16.1		17.1	15		14.7			13.5				13.2		32
34	8.9	11.9	11.3	18.1	15.8	13.5	16.9	14.8		14.6	13.4		13.4				13.1		34
36	8.1	11.6	10.9	17.7	15.5	13.3	16.7	14.6		14.5	13.3		13.2	12.6			13		36
38	7.3	11.2	10.3	17.3	15.2	13.1	16.6	14.4	12.7	14.3	13.2		13.1	12.5			12.9	12.3	38
40	6.7	10.9	10.1	16.9	15	13	16.4	14.2	12.6	14.1	13		12.9	12.4			12.7	12.2	40
45	5.1	9.8	9.7	15.9	14.4	12.6	15.9	13.7	12.2	13.6	12.7	11.6	12.5	12			12.3	11.9	45
50	4	9.3		15	13.9	12.2	15.3	13.3	11.9	12.9	12.3	11.3	12	11.5	10.8		11.8	11.4	50
55	2.9			14.1	13.4	11.9	14.3	12.9	11.6	12.3	11.7	11.1	11.5	10.8	10.2		11.1	10.8	55
60				12.7	12.9	11.5	12.6	12.5	11.3	11.8	10.9	10.3	10.8	10	9.8		10.4	10	60
65				10.2	12.2	11.2	11.2	11.8	11	11.2	10.2	10	10.1	9.5	9.4		9.9	9.5	65
70				9.7	11.3	10.8	10.2	10.6	10.4	9.9	9.8	9.6	9.5	9.2	9		9.4	9.1	70
75				9.4	10.2	10.1	9.6	9.4	9.8	8.9	9.3	9.2	8.8	8.8	8.7		8.7	8.8	75
80				8.4	9.1	9.5	8.7	8.9	8.8	8	8.5	8.8	7.9	8.4	8.3		7.8	8.2	80
85				7.5	8.3	8.5	7.9	8.3	8.4	7.1	7.6	8	7.1	7.5	7.9		7	7.4	85
90				6.7	7.8	7.9	7.2	7.5	7.8	6.4	6.8	7.2	6.4	6.8	7.1		6.3	6.7	90
95				5.9	7.1	7.2	6.5	6.8	7	5.8	6.2	6.5	5.7	6.1	6.4		5.6	6	95
100				5.2	6.5		5.9	6.1	6.3	5.2	5.5	5.8	5.1	5.5	5.8		5	5.4	100
105				4.6	5.9		5.3	5.6		4.7	5	5.2	4.6	4.9	5.2		4.5	4.8	105
110				4.1	5.3		4.8	5		4.2	4.5	4.7	4.2	4.5	4.7		4	4.4	110
115				3.6	4.8		4.4	4.6		3.8	4	4.7	3.7	4	4.2		3.6	3.9	115
120				3			3.9	4.1		3.4	3.6		3.4	3.6			3.2	3.5	120
125							3.5	3.6		2.9	3.1		3	3.2			2.9	3.1	125
130							3.1			2.6	2.7		2.6	2.8			2.5	2.7	130
135										2.2	2.4		2.2	2.4			2.1	2.3	135
140										1.9			1.9	2			1.8	2	140
145										1.7			1.6				1.6		145
150													1.4						150

t204_01144_01_000 / 01145_01_000 / 01146_01_000

STERLING CRANE



Lifting capacities Forces de levage



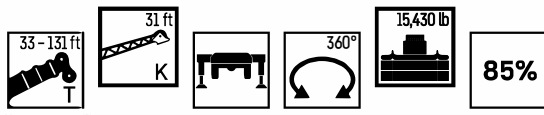
	33 ft			101 ft			112 ft			123 ft			129 ft			131 ft			
	0°	20°	40°	0°	20°	40°	0°	20°	40°	0°	20°	40°	0°	20°	40°	0°	20°	40°	
10	10.3																		10
11	10.2																		11
12	10.1																		12
13	10																		13
14	9.9																		14
15	9.8																		15
16	9.7																		16
17	9.5																		17
18	9.4																		18
19	9.3																		19
20	9.2			10.5															20
22	8.9	8.2		10.4			9.3												22
24	8.7	7.9		10.3			9.2												24
26	8.4	7.7		10.2			9.2			8.1									26
28	8.2	7.5		10.1			9.1			8.1			7.6			7.5			28
30	8	7.3		10			9			8.1			7.6			7.5			30
32	7.7	7.1		9.9			9			8			7.5			7.4			32
34	7.4	7		9.7			8.9			8			7.5			7.4			34
36	7.2	6.8	6.2	9.6	8		8.8			7.9			7.5			7.4			36
38	6.9	6.6	6	9.5	7.9		8.7			7.9			7.4			7.3			38
40	6.7	6.5	5.9	9.3	7.7		8.7	7.5		7.8			7.4			7.3			40
45	6.1	6.2	5.7	9	7.5		8.4	7.2		7.7	6.8		7.3			7.2			45
50	5.5	5.9	5.5	8.6	7.2	6.1	8.2	7		7.5	6.7		7.2	6.5		7.1	6.4		50
55	5.1	5.6	5.4	8.3	7	6	8	6.8	5.9	7.4	6.5		7.1	6.3		7	6.3		55
60	4.7	5.5	5.3	8	6.7	5.8	7.7	6.6	5.7	7.2	6.3	5.6	6.9	6.2		6.8	6.1		60
65	4.4	5.3	5.3	7.6	6.6	5.7	7.5	6.4	5.7	7.1	6.2	5.5	6.8	6.1	5.4	6.7	6	5.4	65
70	4.2	5.2	5.3	7.4	6.4	5.6	7.3	6.3	5.6	6.9	6.1	5.5	6.7	5.9	5.4	6.6	5.9	5.4	70
75	4	5.2		7.1	6.2	5.5	7.1	6.1	5.5	6.7	5.9	5.4	6.5	5.8	5.3	6.5	5.8	5.3	75
80				6.9	6.1	5.5	6.9	6	5.4	6.6	5.8	5.3	6.4	5.7	5.3	6.3	5.7	5.3	80
85				6.6	5.9	5.4	6.7	5.9	5.4	6.4	5.7	5.3	6.3	5.6	5.2	6.2	5.6	5.2	85
90				6.3	5.8	5.3	6.4	5.7	5.3	6.3	5.6	5.2	6.1	5.5	5.2	6.1	5.5	5.2	90
95				6	5.7	5.3	6.1	5.6	5.3	5.9	5.5	5.2	5.9	5.4	5.1	5.8	5.4	5.1	95
100				5.7	5.6	5.3	5.8	5.5	5.2	5.4	5.4	5.1	5.3	5.4	5.1	5.2	5.4	5.1	100
105				5.4	5.5	5.3	5.5	5.4	5.2	4.8	5.3	5.1	4.8	5.3	5.1	4.7	5.2	5.1	105
110				5.1	5.3	5.3	5	5.3	5.2	4.4	4.9	5.1	4.3	4.9	5.1	4.2	4.8	5.1	110
115				4.9	5.2	5.3	4.6	5	5.2	4	4.4	4.8	3.9	4.4	4.8	3.8	4.3	4.7	115
120				4.6	4.9	5	4.2	4.6	4.8	3.6	4	4.4	3.5	4	4.3	3.4	3.9	4.2	120
125				4.2	4.4	4.6	3.8	4.1	4.3	3.2	3.6	3.9	3.1	3.6	3.9	3	3.5	3.8	125
130				3.8	4	4.1	3.4	3.7	3.9	2.9	3.2	3.5	2.8	3.2	3.5	2.7	3.1	3.4	130
135				3.4	3.6		3.1	3.4	3.5	2.5	2.9	3.1	2.5	2.9	3.1	2.4	2.8	3	135
140				3.1	3.2		2.7	3		2.2	2.5	2.7	2.2	2.5	2.7	2.1	2.4	2.6	140
145				2.8			2.4	2.6		1.9	2.2	2.3	1.9	2.2	2.4	1.8	2.1	2.3	145
150							2.2	2.3		1.6	1.9		1.6	1.9	2	1.5	1.8	1.9	150
155							1.9			1.4	1.6		1.4	1.6		1.5	1.6		155

t_204_11144_01_000 / 11145_01_000 / 11146_01_000

STERLING CRANE



Lifting capacities Forces de levage



	33 ft			101 ft			112 ft			123 ft			129 ft			131 ft			
	31 ft																		
	0°	20°	40°	0°	20°	40°	0°	20°	40°	0°	20°	40°	0°	20°	40°	0°	20°	40°	
10	17.5																		10
11	17.1	16																	11
12	16.7	15.8																	12
13	16.4	15.5																	13
14	16	15.2																	14
15	15.6	14.9																	15
16	15.3	14.6																	16
17	14.9	14.4		18.5															17
18	14.5	14.1		18.5															18
19	14.2	13.8	12.6	18.5															19
20	13.8	13.6	12.4	18.5			16.3												20
22	13.1	13.1	12.1	18.5			16.3												22
24	12.4	12.7	11.7	18.3			16.2			13.5			12.3						24
26	10.9	12.3	11.4	18	15.5		16			13.5			12.3			12			26
28	9.1	11.9	11.1	17.6	15.2		15.9	14		13.5			12.3			12			28
30	8.8	11.6	10.8	17.3	14.9		15.7	13.9		13.4			12.3			12			30
32	8.8	11.2	10.5	16.9	14.6		15.6	13.7		13.3			12.2			12			32
34	8.1	10.9	10.2	16.5	14.4	12.3	15.4	13.5		13.3	12.2		12.2			11.9			34
36	7.4	10.5	9.9	16.1	14.1	12.1	15.2	13.3		13.1	12.1		12	11.4		11.8			36
38	6.7	10.2	9.4	15.8	13.9	11.9	15.1	13.1	11.6	13	12		11.9	11.3		11.7	11.2		38
40	6.1	9.9	9.2	15.4	13.6	11.8	14.9	12.9	11.4	12.9	11.8		11.7	11.3		11.6	11.1		40
45	4.7	8.9	8.8	14.5	13.1	11.4	13.9	12.5	11.2	12.3	11.5	10.6	11.3	10.9		11.2	10.8		45
50	3.6	8.4		13.1	12.6	11.1	12.1	12.1	10.8	11.8	11.2	10.3	10.9	10.4	9.9	10.7	10.4	9.5	50
55	2.6			11.3	11.8	10.8	11.3	11.3	10.5	10.4	10.7	10.1	10.1	9.8	9.3	9.9	9.8	9.3	55
60				10.5	10.6	10.4	9.9	10.1	10.2	9	9.8	9.4	9	9.1	8.9	8.8	9.1	8.9	60
65				9.1	9.3	9.8	8.7	9.2	9.2	7.9	8.6	9	7.8	8.4	8.5	7.7	8.3	8.5	65
70				8.1	8.6	8.6	7.7	8.2	8.6	6.9	7.5	8	6.8	7.4	7.9	6.7	7.3	7.8	70
75				7.1	7.6	7.9	6.8	7.2	7.6	6	6.6	7.1	6	6.5	7	5.8	6.4	6.9	75
80				6.3	6.7	7	5.9	6.4	6.7	5.3	5.8	6.2	5.2	5.7	6.2	5.1	5.6	6.1	80
85				5.6	5.9	6.1	5.2	5.6	5.9	4.6	5.1	5.4	4.6	5	5.4	4.4	4.9	5.3	85
90				4.9	5.2	5.4	4.6	4.9	5.2	4	4.4	4.8	4	4.4	4.7	3.9	4.3	4.6	90
95				4.3	4.6	4.7	4	4.3	4.5	3.5	3.9	4.1	3.4	3.8	4.1	3.3	3.7	4	95
100				3.8	4		3.5	3.7	3.9	3	3.3	3.5	3	3.3	3.6	2.9	3.2	3.5	100
105				3.3	3.5		3	3.3		2.5	2.8	3	2.5	2.8	3	2.5	2.8	3	105
110				2.9	3.1		2.6	2.8		2.1	2.4	2.6	2.1	2.4	2.6	2	2.3	2.5	110
115				2.6	2.7		2.2	2.4		1.7	2		1.7	2	2.2	1.7	1.9	2.1	115
120				2.2			1.9	2.1		1.4	1.6		1.4	1.6			1.6		120
125							1.6	1.7											125
130							1.3												130

t_204_01033_00_000 / 01042_00_000 / 01051_00_000

STERLING CRANE



Lifting capacities Forces de levage



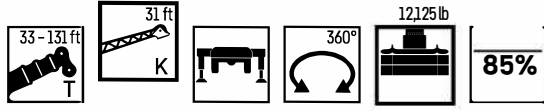
	33 ft			101 ft			112 ft			123 ft			129 ft			131 ft			
	0°	20°	40°	0°	20°	40°	0°	20°	40°	0°	20°	40°	0°	20°	40°	0°	20°	40°	
10	9.4																		10
11	9.3																		11
12	9.2																		12
13	9.1																		13
14	9																		14
15	8.9																		15
16	8.8																		16
17	8.7																		17
18	8.6																		18
19	8.5																		19
20	8.3			9.6															20
22	8.1	7.4		9.5			8.4												22
24	7.9	7.2		9.4			8.4												24
26	7.7	7		9.3			8.4		7.4										26
28	7.5	6.8		9.2			8.3		7.4			6.9			6.8				28
30	7.2	6.7		9.1			8.2		7.3			6.9			6.8				30
32	7	6.5		9			8.2		7.3			6.8			6.8				32
34	6.8	6.3		8.9			8.1		7.2			6.8			6.7				34
36	6.5	6.2	5.6	8.7	7.3		8		7.2			6.8			6.7				36
38	6.3	6	5.5	8.6	7.2		8		7.2			6.7			6.7				38
40	6.1	5.9	5.4	8.5	7.1		7.9	6.8	7.1			6.7			6.6				40
45	5.5	5.6	5.2	8.2	6.8		7.7	6.6	7	6.2		6.6			6.5				45
50	5	5.4	5	7.9	6.6	5.6	7.5	6.4	6.9	6.1		6.5	5.9		6.4	5.8			50
55	4.6	5.1	4.9	7.5	6.3	5.4	7.3	6.2	5.3	6.7	5.9	6.4	5.7		6.3	5.7			55
60	4.3	5	4.8	7.2	6.1	5.3	7.1	6	5.2	6.6	5.8	5.1	6.3	5.6	6.2	5.6			60
65	4	4.9	4.8	6.9	6	5.2	6.8	5.8	5.1	6.4	5.6	5	6.2	5.5	5	6.1	5.5	5	65
70	3.8	4.8	4.8	6.7	5.8	5.1	6.6	5.7	5	6.3	5.5	4.9	6.1	5.4	4.9	6	5.4	4.9	70
75	3.6	4.7		6.5	5.7	5	6.2	5.6	5	6.1	5.4	4.9	5.8	5.3	4.8	5.7	5.3	4.8	75
80				6.1	5.5	5	6	5.4	4.9	5.5	5.3	4.8	5.3	5.2	4.8	5.2	5.2	4.8	80
85				5.8	5.4	4.9	5.5	5.3	4.9	4.8	5.2	4.8	4.7	5.1	4.7	4.6	5.1	4.7	85
90				5.2	5.2	4.9	4.9	5.2	4.8	4.2	4.9	4.7	4.1	4.8	4.7	4	4.7	4.7	90
95				4.7	5	4.8	4.3	4.9	4.8	3.7	4.4	4.7	3.6	4.3	4.7	3.5	4.2	4.7	95
100				4.1	4.6	4.8	3.8	4.4	4.7	3.2	3.9	4.4	3.2	3.8	4.3	3	3.7	4.2	100
105				3.7	4.1	4.4	3.3	3.8	4.2	2.8	3.4	3.9	2.7	3.3	3.8	2.6	3.2	3.7	105
110				3.2	3.7	3.9	2.9	3.4	3.7	2.4	3	3.4	2.4	2.9	3.4	2.3	2.8	3.3	110
115				2.9	3.2	3.5	2.5	3	3.2	2.1	2.6	2.9	2	2.5	2.9	1.9	2.4	2.8	115
120				2.5	2.8	3	2.2	2.6	2.8	1.7	2.2	2.5	1.7	2.2	2.5	1.6	2.1	2.4	120
125				2.2	2.5	2.6	1.9	2.2	2.4	1.4	1.8	2.1	1.4	1.8	2.1		1.8	2.1	125
130				1.9	2.1	2.2	1.6	1.9	2		1.5	1.7		1.5	1.7		1.5	1.7	130
135				1.7	1.8		1.3	1.6	1.7			1.4			1.4		1.4		135
140				1.4	1.5														140

t_204_11033_00_000 / 11042_00_000 / 11051_00_000

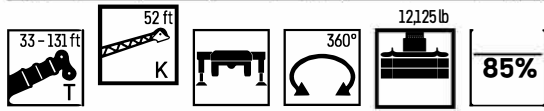
STERLING CRANE



Lifting capacities Forces de levage



	33 ft			101 ft			112 ft			123 ft			129 ft			131 ft			
	0°	20°	40°	0°	20°	40°	0°	20°	40°	0°	20°	40°	0°	20°	40°	0°	20°	40°	
10	17.5																		10
11	17.1																		11
12	16.7	16																	12
13	16.4	15.8																	13
14	16	15.2																	14
15	15.6	14.9																	15
16	15.3	14.6																	16
17	14.9	14.4																	17
18	14.5	14.1																	18
19	14.2	13.8																	19
20	13.8	13.6																	20
22	13.1	12.7																	22
24	12.4	12.3																	24
26	10.9	11.4																	26
28	9.1	11.1																	28
30	8.8	10.8																	30
32	8.8	10.5																	32
34	8.1	10.2																	34
36	7.4	9.9																	36
38	6.7	10.2																	38
40	6.1	9.9																	40
45	4.7	8.9																	45
50	3.6	8.4																	50
55	2.6																		55
60																			60
65																			65
70																			70
75																			75
80																			80
85																			85
90																			90
95																			95
100																			100
105																			105
110																			110
115																			115
120																			120

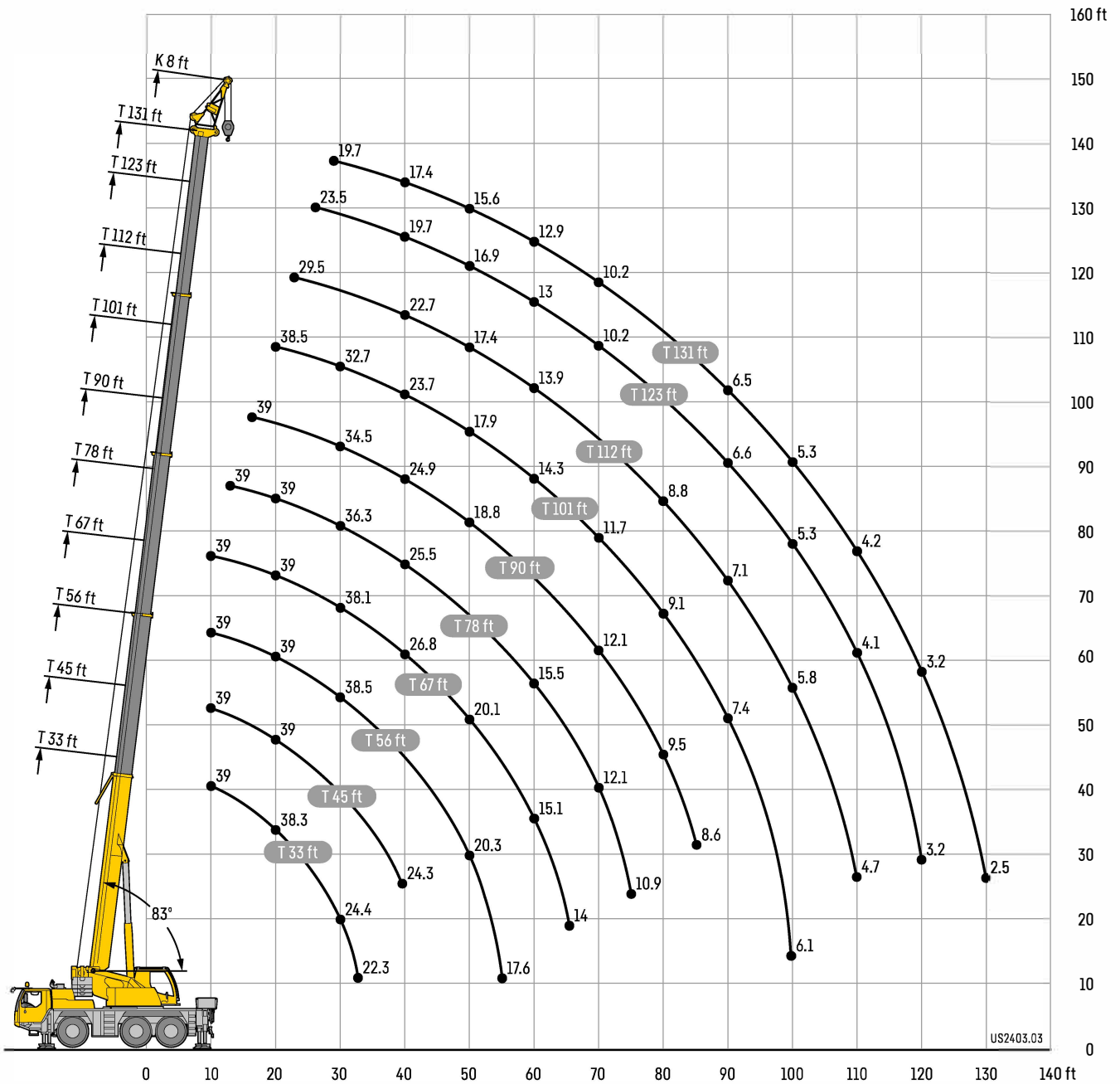


	33 ft			101 ft			112 ft			123 ft			129 ft			131 ft			
	0°	20°	40°	0°	20°	40°	0°	20°	40°	0°	20°	40°	0°	20°	40°	0°	20°	40°	
10	9.4																		10
11	9.3																		11
12	9.2																		12
13	9.1																		13
14	9																		14
15	8.9																		15
16	8.8																		16
17	8.7																		17
18	8.6																		18
19	8.5																		19
20	8.5																		20
22	8.1	7.4																	22
24	7.7	7.2																	24
26	7.7	7																	26
28	7.5	6.8																	28
30	7.2	6.7																	30
32	7	6.5																	32
34	6.8	6.3																	34
36	6.5	6.2	5.6																36
38	6.3	6	5.5																38
40	6.1	5.9	5.4																40
45	5.5	5.6	5.2																45
50	5	5.4	5																50
55	4.6	5.1	4.9																55
60	4.3	5	4.8																60
65	4	4.8	4.8																65
70	3.8	4.7	4.8																70
75																			75
80																			80
85																			85
90																			90
95																			95
100																			100
105																			105
110																			110
115																			115
120																			120
125																			125
130																			130
135																			135

STERLING CRANE



Lifting heights Hauteurs de levage

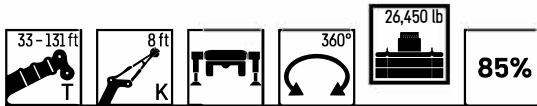


US2403.03

STERLING CRANE



Lifting capacities Forces de levage



	33 ft	45 ft	56 ft	67 ft	78 ft	90 ft	101 ft	112 ft	123 ft	131 ft	
	8 ft										
10	39	39	39	39							10
11	39	39	39	39							11
12	39	39	39	39							12
13	39	39	39	39	39						13
14	39	39	39	39	39						14
15	39	39	39	39	39						15
16	39	39	39	39	39	39					16
17	39	39	39	39	39	39					17
18	39	39	39	39	39	39					18
19	39	39	39	39	39	39					19
20	38.3	39	39	39	39	39	38.5				20
22	35.4	39	39	39	39	39	37.6				22
24	32.4	39	39	39	39	39	36.6	29.5			24
26	29.2	39	39	39	39	38.9	35.5	28.9			26
28	26.8	37.1	39	39	38.8	37.5	34.2	28.1	23.1	19.7	28
30	24.4	34.8	38.5	38.1	36.3	34.5	32.7	27.2	22.6	19.4	30
32	22.3	32.4	36.2	35.7	33.7	32.4	30.7	26.4	21.9	19	32
34		30	33.7	33	31.2	30.1	28.5	25.6	21.3	18.6	34
36		27.9	32.1	30.7	29	28	26.4	24.9	20.7	18.2	36
38		26.1	30	28.7	27	26.2	24.7	23.8	20.2	17.8	38
40		24.3	28.1	26.8	25.5	24.9	23.7	22.7	19.7	17.4	40
45			23.9	23	21.9	21.6	20.6	19.6	18.4	16.5	45
50			20.3	20.1	19.8	18.8	17.9	17.4	16.9	15.6	50
55			17.6	17.3	17.6	16.5	16	15.7	14.8	14.5	55
60				15.1	15.5	14.5	14.3	13.9	13	12.9	60
65				14	13.6	13.2	13	12.4	11.5	11.4	65
70					12.1	12.1	11.7	11.1	10.2	10.2	70
75					10.9	10.9	10.4	9.9	9.1	9.1	75
80						9.5	9.1	8.8	8.2	8.1	80
85						8.6	8.2	7.9	7.3	7.3	85
90							7.4	7.1	6.6	6.5	90
95							6.7	6.4	5.9	5.9	95
100							6.1	5.8	5.3	5.3	100
105								5.2	4.7	4.7	105
110								4.7	4.1	4.2	110
115									3.7	3.7	115
120									3.2	3.2	120
125										2.8	125
130										2.5	130

t_204_01147_01_000

STERLING CRANE



Lifting capacities Forces de levage



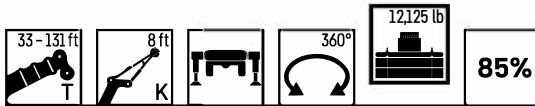
	33 ft	45 ft	56 ft	67 ft	78 ft	90 ft	101 ft	112 ft	123 ft	131 ft	
	8 ft										
10	39	39	39	39							10
11	39	39	39	39							11
12	39	39	39	39							12
13	39	39	39	39	39						13
14	39	39	39	39	39						14
15	39	39	39	39	39						15
16	39	39	39	39	39	39					16
17	39	39	39	39	39	39					17
18	39	39	39	39	39	39					18
19	39	39	39	39	39	39					19
20	38.3	39	39	39	39	39	35				20
22	35.5	39	39	39	39	38.9	34.2				22
24	32.4	39	39	38.6	38.5	36.3	33.1	26.8			24
26	29.2	38.8	37.9	37.7	35.4	33.5	30.8	26.2	21.4		26
28	26.8	35.1	34.8	34.3	32.1	30.8	28.5	25.5	21	17.9	28
30	24.4	31.4	32.1	31.4	29.4	28.2	26.3	24.8	20.6	17.6	30
32	22.4	28.6	29	28.7	27.3	26.5	24.8	23.5	20	17.3	32
34		26	26.3	26.2	25.1	24.5	23.3	21.8	19.4	16.9	34
36		23.7	24	23.9	23.5	22.7	21.5	20.2	18.8	16.6	36
38		21.8	22.1	21.9	22.3	21	20	18.9	18.4	16.2	38
40		20	20.3	20.2	20.7	19.6	18.6	18.3	17.3	15.8	40
45			16.8	17.2	17	16.5	16.4	15.7	14.7	14.5	45
50			14.1	14.6	14.3	14.4	14.2	13.5	12.6	12.4	50
55			12	12.4	12.3	12.3	12.1	11.7	10.8	10.7	55
60				10.8	10.7	10.6	10.4	10.2	9.4	9.3	60
65				9.4	9.3	9.3	9	8.8	8.1	8.1	65
70					8.2	8.2	7.9	7.6	7.1	7	70
75					7.2	7.2	6.9	6.6	6.2	6.2	75
80						6.4	6.1	5.8	5.3	5.4	80
85						5.6	5.3	5.1	4.6	4.6	85
90							4.6	4.4	3.9	4	90
95							4.1	3.8	3.3	3.4	95
100							3.6	3.3	2.8	2.9	100
105								2.9	2.4	2.4	105
110								2.5	1.9	2	110
115									1.6	1.6	115

t_204_01060_00_000

STERLING CRANE



Lifting capacities Forces de levage



	33 ft	45 ft	56 ft	67 ft	78 ft	90 ft	101 ft	112 ft	123 ft	131 ft	
	8 ft										
10	39	39	39	39							10
11	39	39	39	39							11
12	39	39	39	39							12
13	39	39	39	39	39						13
14	39	39	39	39	39						14
15	39	39	39	39	39						15
16	39	39	39	39	39	39					16
17	39	39	39	39	39	39					17
18	39	39	39	39	39	39					18
19	39	39	39	39	39	39					19
20	38.3	39	39	39	39	39	35				20
22	35.5	39	39	38.9	39	36.8	33.8				22
24	32.4	39	38.4	38.1	36.5	34.3	30.9	26.8			24
26	29.2	37.1	36	35.1	33	31.4	28.4	26.2	21.4		26
28	26.8	32.8	33.5	31.9	30.1	28.7	26.9	24.8	21	17.9	28
30	24.4	29.6	30.1	29	27.4	26.7	25.1	23.1	20.6	17.6	30
32	22.4	26.7	27.1	26.5	25.5	24.4	23.1	21.5	20	17.3	32
34		24.2	24.6	24.3	24	22.5	21.3	20.3	19.3	16.9	34
36		22	22.3	22.2	22.2	20.8	20.1	19.4	18.2	16.6	36
38		20	20.4	20.5	20.6	19.2	18.8	18.2	16.9	16.2	38
40		18.3	18.7	19.2	19	17.9	17.8	16.9	15.8	15.4	40
45			15.4	15.8	15.6	15.8	15	14.3	13.2	13.1	45
50			12.9	13.3	13.2	13.2	12.9	12.2	11.3	11.2	50
55			10.9	11.3	11.3	11.2	11	10.5	9.7	9.6	55
60				9.8	9.7	9.7	9.4	9.1	8.3	8.2	60
65				8.5	8.4	8.4	8.1	7.9	7.1	7.1	65
70					7.3	7.3	7.1	6.8	6.2	6.1	70
75					6.5	6.4	6.1	5.9	5.3	5.3	75
80						5.6	5.3	5	4.6	4.6	80
85						4.9	4.6	4.3	3.9	3.9	85
90							4	3.7	3.2	3.3	90
95							3.5	3.2	2.7	2.8	95
100							3	2.7	2.2	2.3	100
105								2.3	1.8	1.9	105
110								1.9			110

t_204_01063_00_000