



TRANSPORTATION SPECS - Rough Terrain Cranes

TADANO MODEL TR-500XL-4 - 50 TON CAPACITY

COMPONENT WEIGHTS

Complete Crane
(incl. block, ball and jib)

<u>LBS.</u>	<u>KGS.</u>
75,617	34,300

ADDITIONAL INFORMATION

50Ton Block (4Sheave)	767	348
5.5 Ton Ball	290	131
2 Stage Jib (28.9'-50')	1780	807
Auxiliary Hoist & Line	1830	830
Rooster Sheave	150	68
Main Load Line (3/4"x597')		
Auxiliary Hoist Line (3/4"x345')		

TRANSPORTATION

Alberta and Saskatchewan

- Spring
- Summer
- Fall
- Winter

<u>Weight</u>	<u>Trailer</u>
(1)	28 wh
(1)	24 wh
(1)	20 wh
(1)	16 wh

British Columbia

- Ban
Max. 80,000lb
- Post Ban
Stay on 85,000kg corridor

<u>No.</u>	<u>Trailer</u>
(1)	9 axle
(1)	7 axle

Colorado

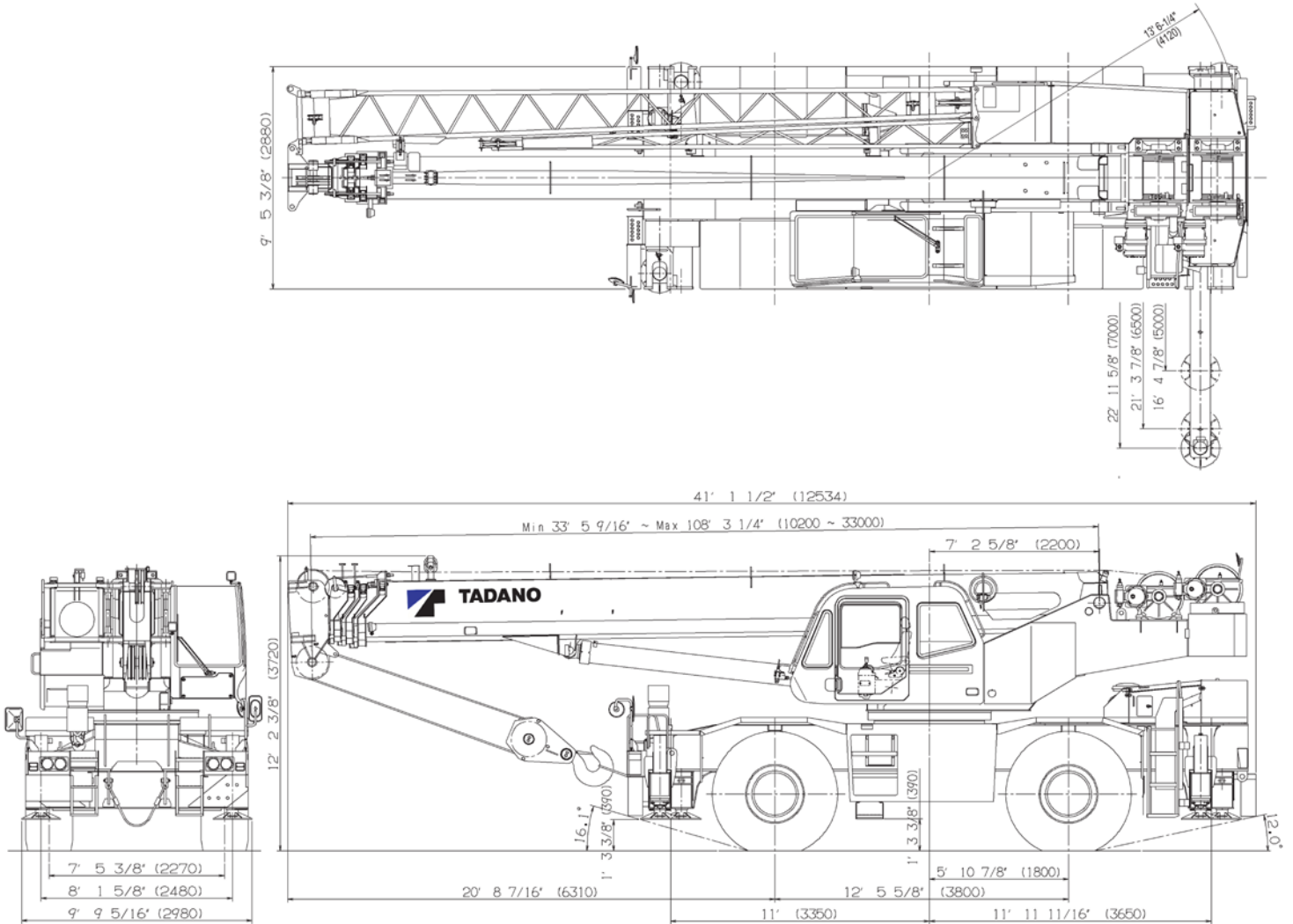
- Interstate (1) 9 axle

Saskatchewan

- Ban (1) 32 wh/9 axle
- Post Ban (1) 24 wh/7 axle

STERLING CRANE

DIMENSIONS



GENERAL DIMENSIONS (23.5 - 25 Tires)

Note: Dimension is with boom angle at -0.8 degree.

	Feet	Meters
Turning radius:		
4 wheel steer	22'	6.7
2 wheel steer	38' 4-5/8"	11.7