

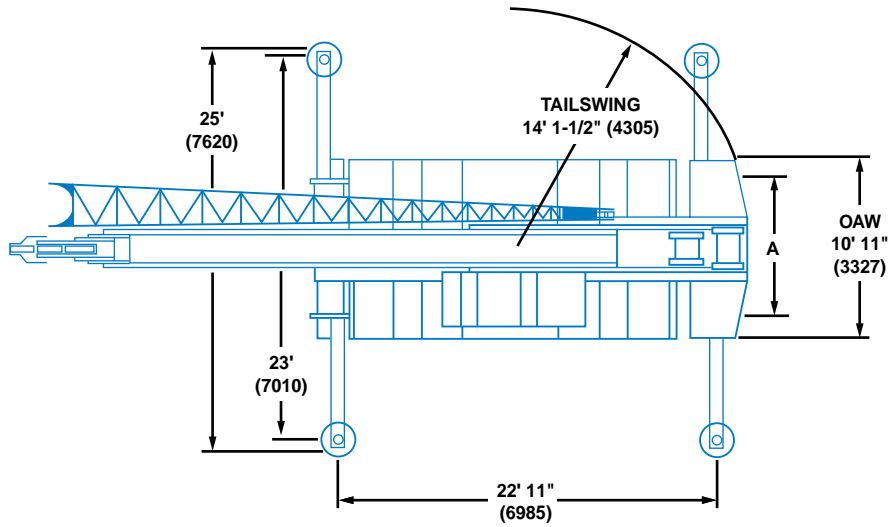


## TRANSPORTATION SPECS - Rough Terrain Cranes GROVE MODEL RT760 - 60 TON CAPACITY

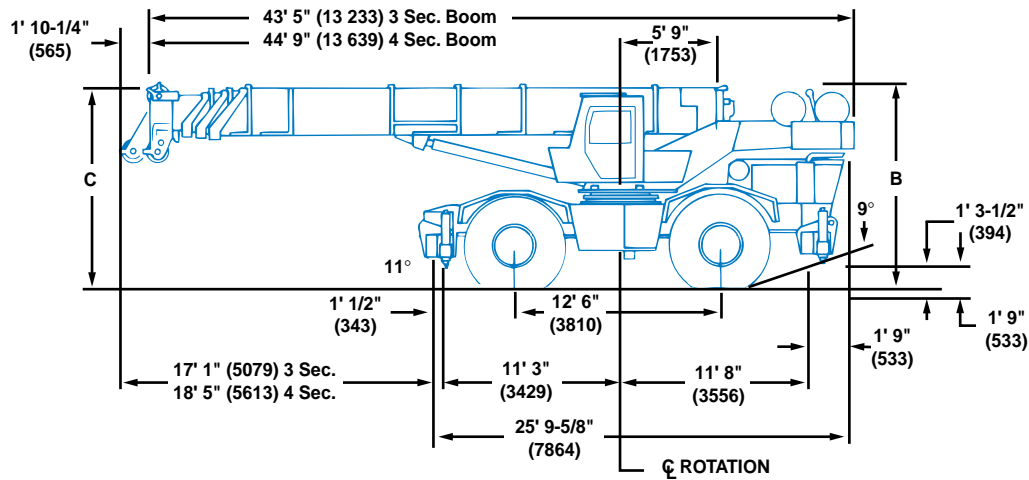
<u>COMPONENT WEIGHTS</u>	<u>LBS.</u>	<u>KGS.</u>
Complete Crane (Incl. Counterweight, Swing Jib, Block, and Ball)	90,855	41 212
Main Unit - 25' 10" / 46'9" x 10'11" x 12'9")	86,048	39 031
Counterweight c/w:		
- Main Hoist	12, 150	5 511
- Main & Auxiliary Hoist	13,900	6 305
 <u>ADDITIONAL INFORMATION</u>		
60 Ton Block, 5 Sheave Block	1,370	621
10 ton Ball	560	254
Two Stage Swingaway Jib (32' – 56')	2,907	1,319
Rooster Sheave	220	100
Tire Size 29.5R25	1,700	771
Main Load Line (3/4" x 550')	577	262
Auxiliary Load Line (3/4" x 500')	525	238

# STERLING CRANE

## Dimensions



TIRE SIZE	29.5 x 25
A (TRACK)	8' 2-1/2" (2502)
B (OAH)	12' 5" (3785)
C	12' 9" (3886)
GROUND CLEARANCE	1' 6-1/2" (470)



Note: ( ) Dimensions are in mm.

Turning Radius . . . . . 23' 4" (7100 mm)

Front Axle Load . . . . . 45,805 lbs. (20 777 kg)

Rear Axle Load . . . . . 45,080 lbs. (20 448 kg)

Gross Vehicle Weight . . . . . 90,885 lbs. (41 225 kg)