



## TRANSPORTATION SPECS - Boom Trucks

### TADANO MODEL TM1000 - 10 TON CAPACITY

#### COMPONENT WEIGHTS

	<u>LBS.</u>	<u>KGS.</u>
Complete Crane & Truck	55,644	25,240

#### ADDITIONAL INFORMATION

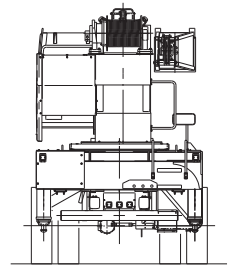
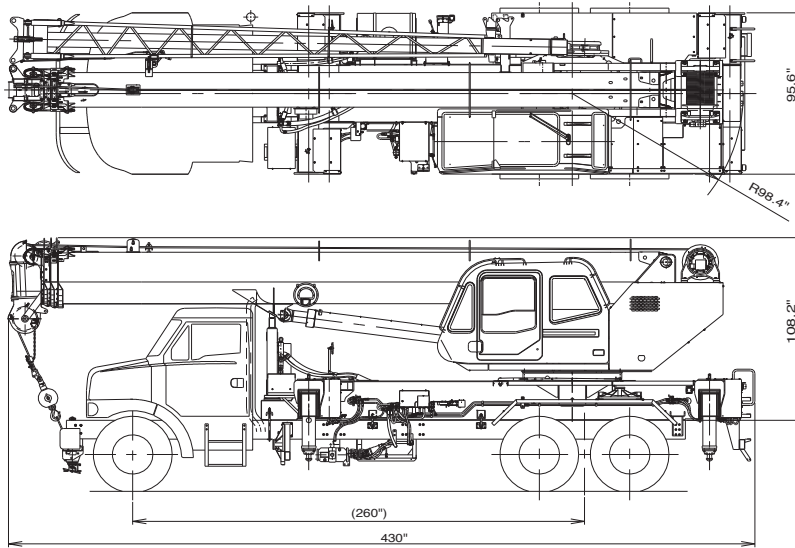
32 Ton Block (3 sheave)	500	227
7 Ton Ball	172	78
Load Line 5/8" x 426'		
Tire Size: Front 385/65R22.5 – 18 ply Rear 11R22.5 – 14 ply		

#### TRANSPORTATION

Maximum Driving Speed	50 MPH	80 km/h
-----------------------	--------	---------

# STERLING CRANE

## TM-35100 (35 ton) crane dimensional specifications



\* Overall length depends on truck.