



## TRANSPORTATION SPECS - Boom Trucks

### USTC MODEL 1700JBT - 17 TON CAPACITY

#### COMPONENT WEIGHTS

Complete Crane  
(incl. block)

LBS.

KGS.

35,120

15 931

Crane w/o truck

15,365

6 970

#### ADDITIONAL INFORMATION

16.5 Ton Block

220

100

Main Load Line (9/16" x 300')

180

82

8 X 19 semi non-rotating

Mounted on Sterling LT7501

#### DECK INFORMATION

8' x 22' wood deck c/w 36" tool box

#### TRANSPORTATION

Average Driving Speed

80 km/hr

Alberta, British Columbia and  
Saskatchewan

Trailer

- All Seasons

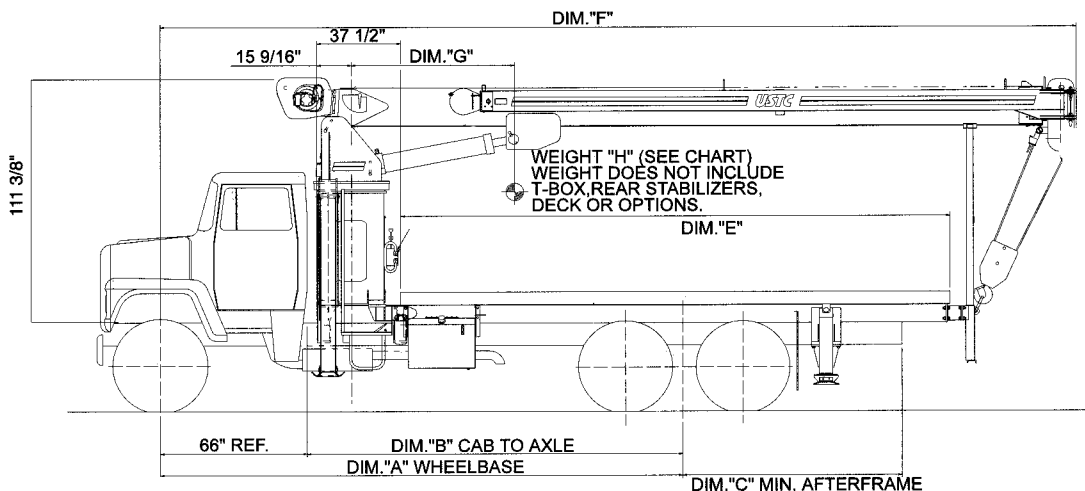
Drive

-

# STERLING CRANE

## FRONT MOUNT TANDEM AXLE

Min. F.A.W.R.: 14,400 #  
 Min. R.A.W.F.: 34,000 #  
 Truck Frame: 15.9 in.<sup>3</sup> S.M. on  
 110,000 psi  
 Consult factory for rear mount  
 configuration, recommended  
 truck requirements, and 180°  
 and 360° Area of Operation.



	DIM. "A"	DIM. "B"	DIM. "C"	DIM. "D"	DIM. "E"	DIM. "F"	DIM. "G"	DIM. "H" WET
BOOM LENGTH	MIN. WHEELBASE	MIN. CAB TO AXLE	MIN. AFTERFRAME	MAX. CAB HEIGHT	MIN. DECK LENGTH	CL FRT. AXLE TO BOOM TIP	CENTER OF GRAVITY LOC	(SEE NOTE ON DRAWING)
47 ft.	210"	144"	75"	68 1/2"	16 ft.	318 9/16" (26'-6 9/16")	38.45"	11,150 lbs.
70 ft.	234"	168"	75"	68 1/2"	20 ft.	410 9/16" (34'-2 9/16")	65.44"	12,329 lbs.

