



TRANSPORTATION SPECS - Boom Trucks

NATIONAL MODEL 11105 - 28 TON CAPACITY

COMPONENT WEIGHTS

Complete Crane
(Incl. Block, Ball & Jib)

LBS.

49,361

KGS.

22 390

Crane Only

22,480

10 225

Certificate Weight

22 300

*Actual Scaled Weight
Unit 28-7-1315

ADDITIONAL INFORMATION

12½" on Block

182

83

4.5 Ton Ball

150

68

25' – 44' Swing Away Telejib
(28-7-1315)

1470

670

Main Load Line (9/16" x 340')

DECK INFORMATION

28-7-1315

8' x 20' Deck

TRANSPORTATION

Average Driving Speed

80 km/hr

Alberta, British Columbia and
Saskatchewan

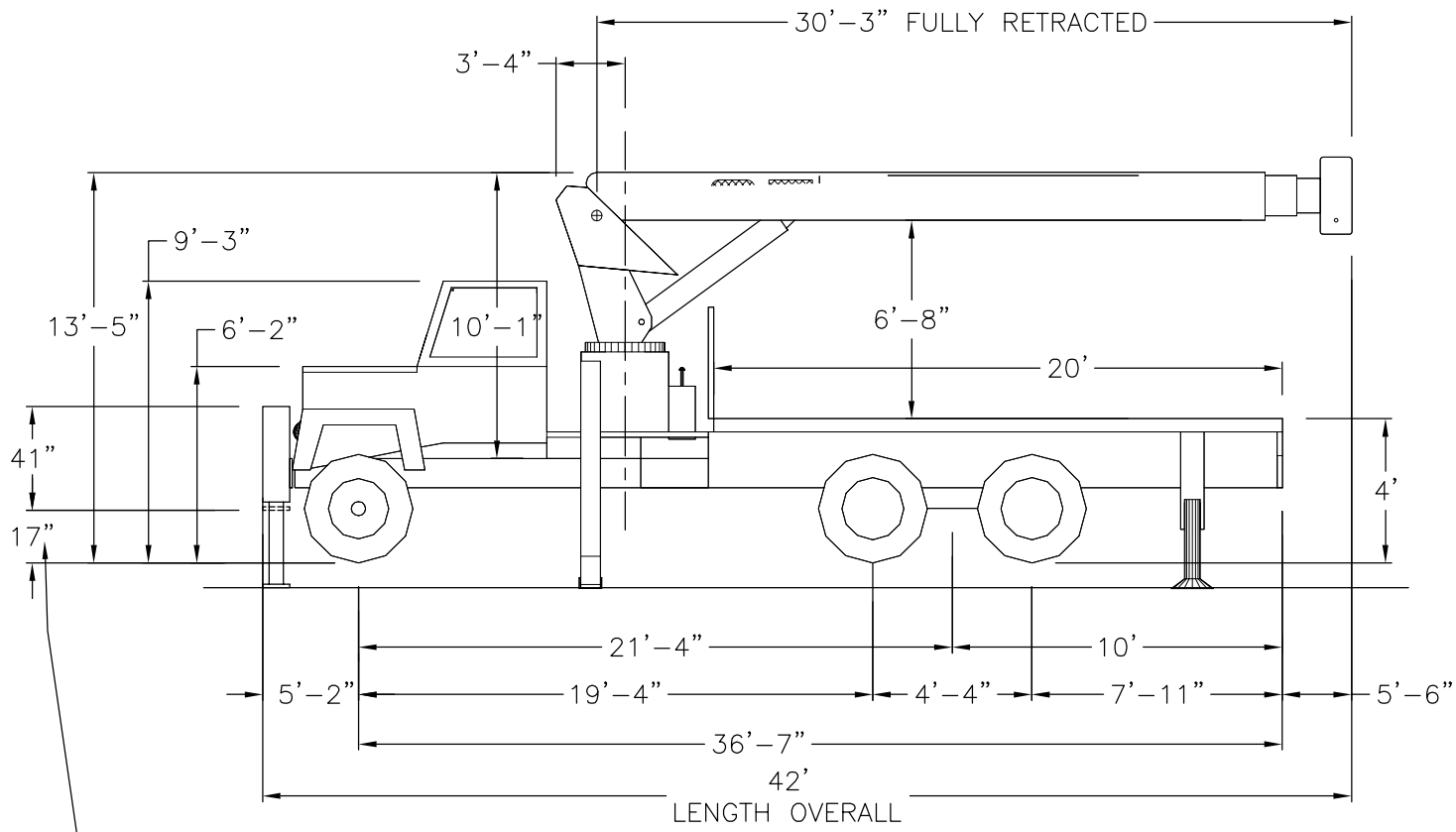
Trailer

- All Seasons

Drive

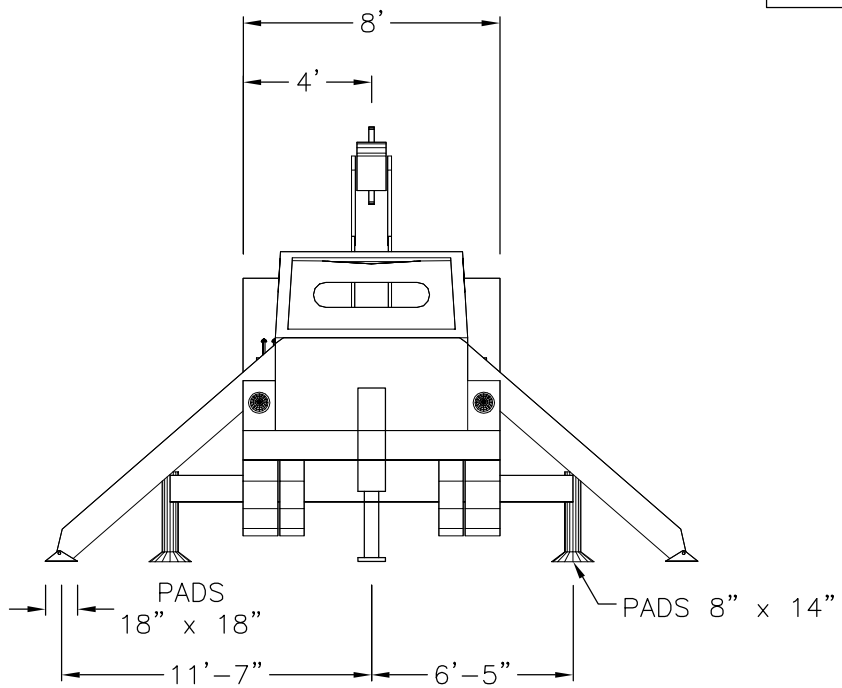
-

STERLING CRANE



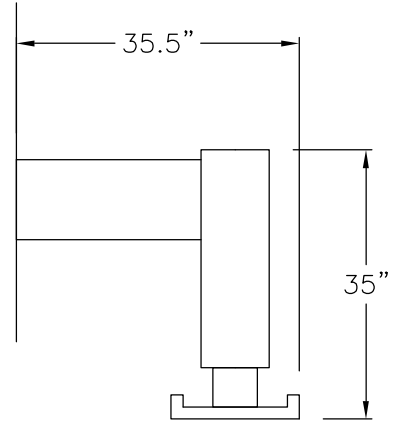
ADJUST MANUALLY
17'-8"

BOOM TRUCK =	OVERHANG	DECK
28-7-1315	N/A	20'



FRONT STABILIZER

REAR STABILIZER



REAR STABILIZER
25 1/2 STROKE