



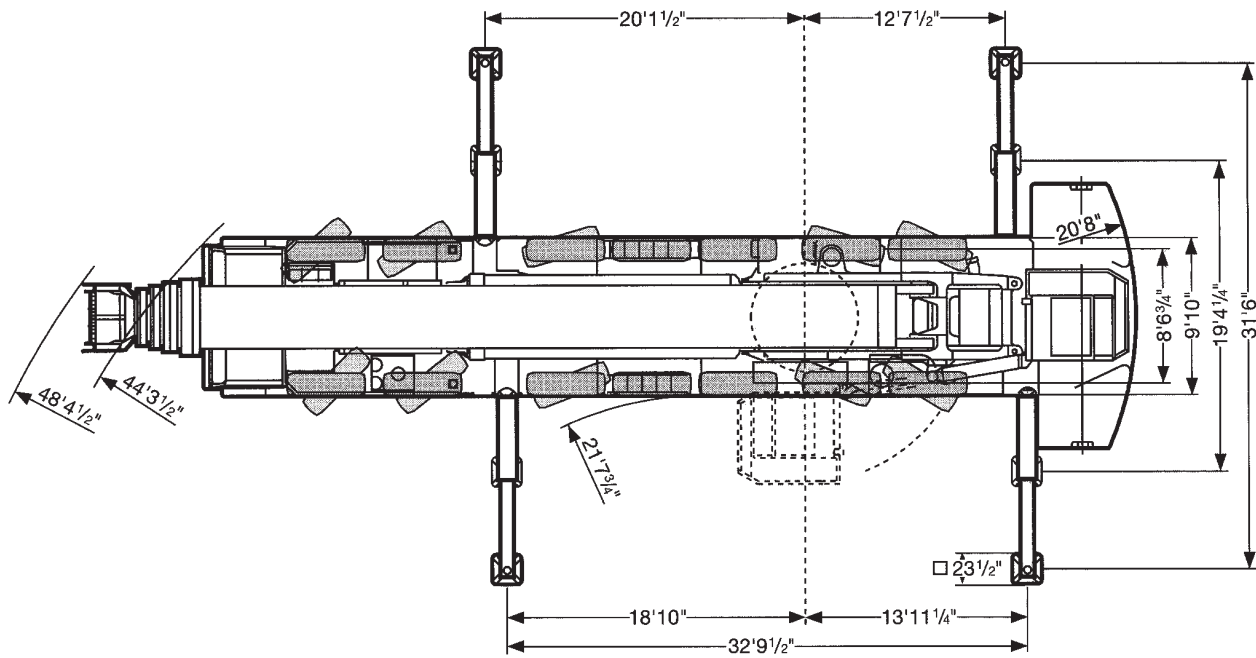
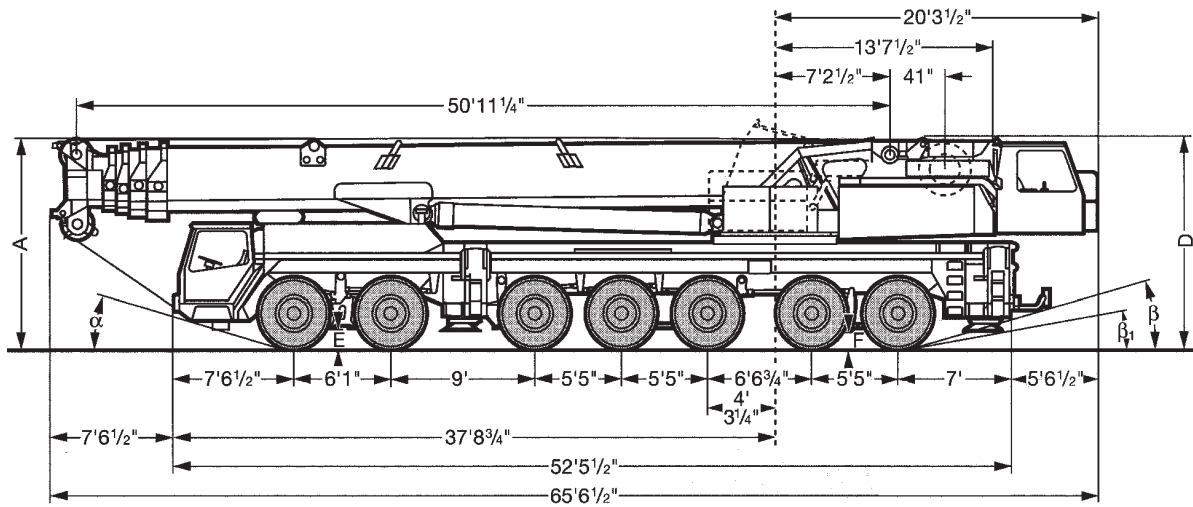
TRANSPORTATION SPECS - All Terrain Cranes


LIEBHERR MODEL LTM 1300 - 400 TON CAPACITY

<u>COMPONENT WEIGHTS</u>	<u>LBS.</u>	<u>KGS.</u>	<u>FIXED FLY JIB 10.5 – 42M (34 – 138 FT)</u>	
Complete Crane c/w Full Counterweight and Block	390,015	176 910	Adapter 1.25m - 5'9" x 4'9" x 4'4"	1,744 791
House, Carrier and Boom - 65'7" / 52'6": X 9'10" X 13'1"	184,800	83 825	Insert 3.5m 11'8" x 6'1" x 4'7"	904 410
Main Boom	61,729	28 000	Insert 7.00m - 23'4" x 6'1" x 4'7"	1,697 770
<u>Counterweights</u>				
Top Plate 2.5 t 16'5" x 6'5" x ?	5,512	2,500	Reducer 1.5m - 5'3" x 5'9" x 4'7"	481 218
Main Cwts 12.5 t 7 pcs. Ea. - 16'5" x 6'5" x 1'2"	27,557	12,500	Insert 7.00m - 23'4" x 6'3" x 3'6"	1,454 660
Total Counterweight	198,415	90 0000	Tip 7.75m - 27'3" x 5'1" x 3'4"	3,075 1 395
<u>ADDITIONAL WEIGHTS</u>			<u>LUFFING FLY JIB 21 – 70M (65 – 230 FT)</u>	
220 Ton 12 Sheave Block - 7'4" x 3'11" x 2'4"	5,940	2 694	Pivot Section 8.25m - 39'3" x 9'4" x 6'3"	15,757 7 147
75 Ton 3 Sheave Block - 6'1" x 2'4" x 1'9"	3,190	1 447	Insert 3.5m - 11'8" x 6'1" x 4'7"	904 410
33 Ton Single Sheave Block - 5' x 2'4" x 1'	1,670	758	Insert 7.0m - 23'4" x 6'1" x 4'7"	1,698 770
11 Ton Ball - 3'7" x 1'4" x 1'4"	860	390	Reducer 1.5m - 5'3" x 5'9" x 4'7"	481 218
Auxiliary Winch - 6'11" x 4'7" x 4'4"	5,970	2 708	Insert 7.0m - 23'4" x 6'3" x 3'6"	1,454 660
Superlift Attachment - 29'9" x 8'7" x 3'3"	8,397	3 809	Insert 14.0m - 46'3" x 6'3" x 3'6"	3,075 1 395
Tire Size 17.5R25			Insert 14.0m - 46'3" x 6'3" x 3'6"	3,143 1 426
			Tip 7.75m - 27'3" X 5'1" X 3'4"	2,730 1 238

STERLING CRANE

DIMENSIONS



	Dimensions / Encombrement mm							
	A	A 6''*	D	E	F	α	β	β ₁
14.00 R 25	13'3/4''	12'6 3/4''	13'1 1/2''	11 3/4''	14 1/2''	17°	16.5°	9°

* lowered / abaissé

STERLING CRANE

WEIGHTS



Axle Essieu	1	2	3	4	5	6	7	Total weight Poids total
lbs	26400	26400	26400	26400	26400	26400	26400	184800








Load (kips) ¹⁾ Forces de levage (kips)	No. of sheaves Poulies	No. of lines Brins	Weight lbs Poids lbs
440	12	24	5940
370	9	19	5280
300	7	15	5390
226	5	11	4290
150	3	7	3190
66	1	3	1670
22	-	1	860






¹⁾ The safety regulations of the respective country shall be applicable.
Les spécifications de sécurité du pays concerné seront en vigueur.

WORKING SPEEDS



	1	2	3	4	5	R	
							
 mph	8	13	22	30	40	8.5	18 %
 mph	3.75	6	10	14	19	4	32 %
	14.00 R 25						



Drive Mécanismes	infinitely variable en continu	Rope diameter / Rope length Diamètre du câble / Longueur du câble	Max. single line pull Effort au brin maxi.
	0 - 492 ft/min single line ft/min au brin simple	¹⁵ / ₁₆ " / 1640'	22420 lbs
	0 - 492 ft/min single line ft/min au brin simple	¹⁵ / ₁₆ " / 2000'	22420 lbs
	0 - 1.3 rpm		
	approx. 70 seconds to reach 83° boom angle env. 70 s jusqu'à 83°		
	approx. 70 / 240 / 490 seconds for boom extension from 69 / 119 / 197 ft (incl. locking) env. 70 / 240 / 490 s pour passer de 69 / 119 / 197 ft (incl. verrouillage)		