



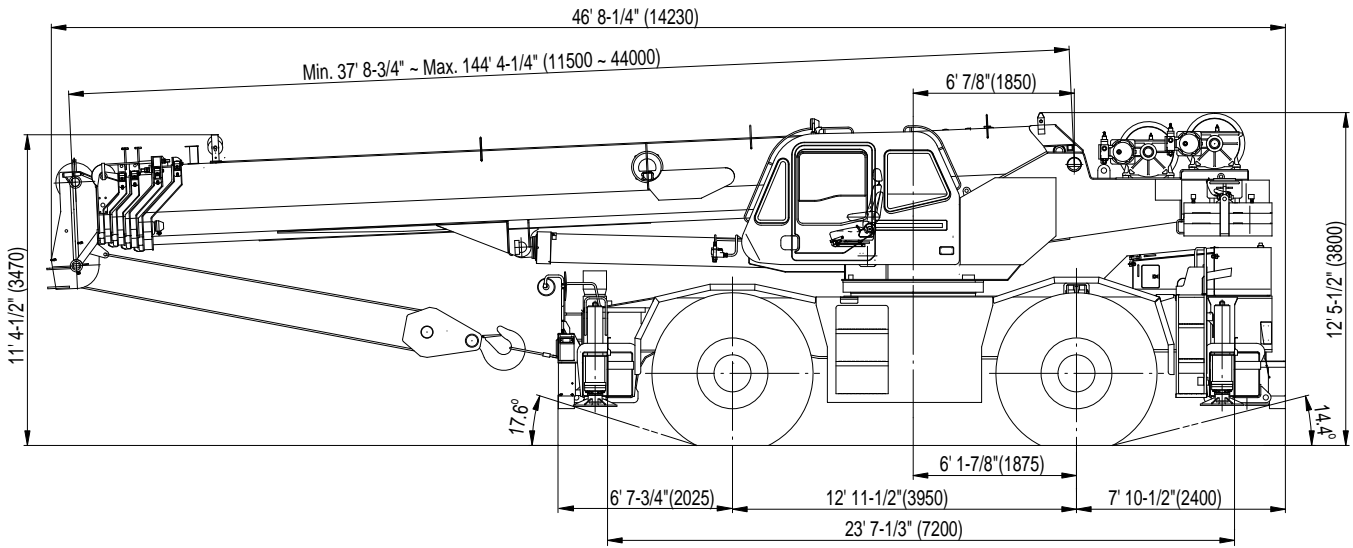
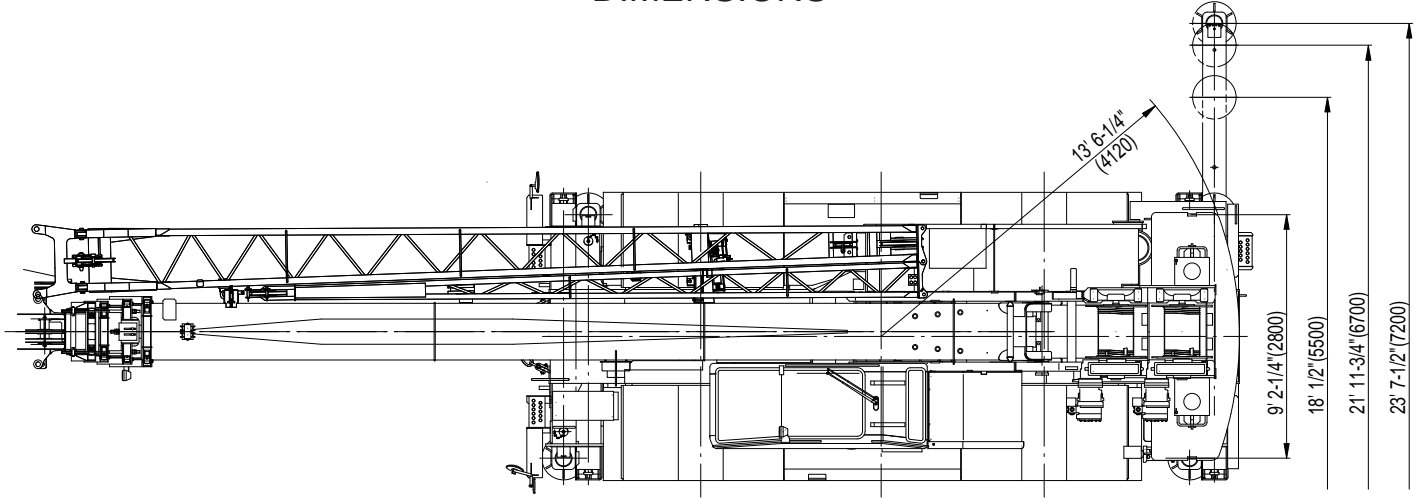
TRANSPORTATION SPECS - Rough Terrain Cranes

TADANO MODEL TR-800XXL-4 - 80 TON CAPACITY

| <u>COMPONENT WEIGHTS</u> | <u>LBS.</u> | <u>KGS.</u> |
|--|--|-------------|
| Complete Crane (Includes Block, Ball, Jib & Pads) | 108,660 | 49 390 |
| Main Unit (No cwt, jib, block and ball) | 88,400 | 40 180 |
| <u>ADDITIONAL INFORMATION</u> | | |
| 80 ton – 7 Sheave Block | 1,817 | 975 |
| 50 ton – 4 Sheave Block | 950 | 432 |
| Ball 6.2 ton | 289 | 132 |
| Swingaway Jib (32.5') | 1,832 | 833 |
| Folding Jib Extension (25.6') | 677 | 308 |
| Rooster Sheave | 110 | 50 |
| Removable Counterweight | 17,355 | 7 889 |
| | | |
| Tire Size | 29.5-25 22 PR | |
| Main Load Line | 3/4" x 797' | |
| Auxiliary Line | 3/4" x 436' | |
| | | |
| <u>TRANSPORTATION</u> | | |
| Alberta | Spring 40 WHL Summer 36 WHL Fall 24 WHL Winter 24 WHL | |

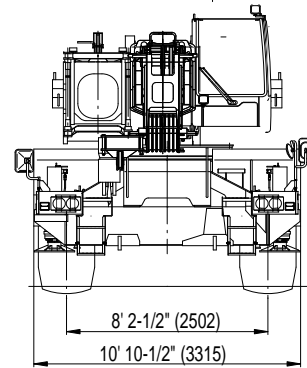
STERLING CRANE

DIMENSIONS



GENERAL DIMENSIONS (29.5 X 25 Tires)

| | Feet | Meters |
|----------------|-------------|--------|
| Turning radius | | |
| 4 wheel steer | 21' 11-3/4" | 6.7 |
| 2 wheel steer | 39' 1/2" | 11.9 |



Specifications are subject to change without notice