



TRANSPORTATION SPECS - Hydraulic Truck Cranes

GROVE MODEL TMS700E - 60 TON CAPACITY

COMPONENT WEIGHTS

	<u>LBS.</u>	<u>KGS.</u>			
Complete Crane (c/w counterweights, jib, block & ball)	94,670	42 942			
Main Unit c/w 138' boom, main and auxiliary hoists w/rope, bifold swingaway, auxiliary boom nose, 50 ton block, 8.3 ton ball and w/o counterweights	78,170	35 458			
Counterweight Max.	16,500	7 486			

ADDITIONAL INFORMATION

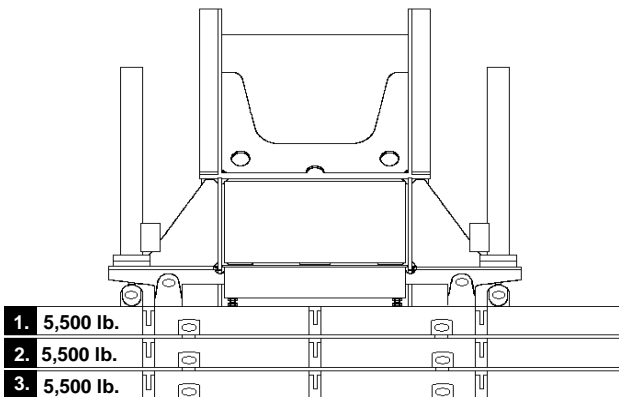
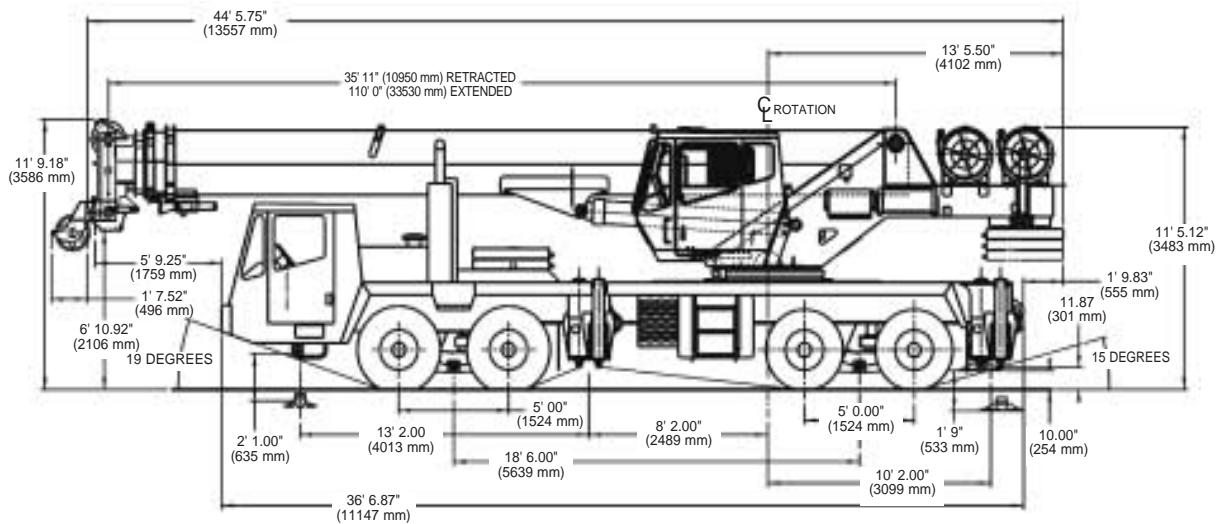
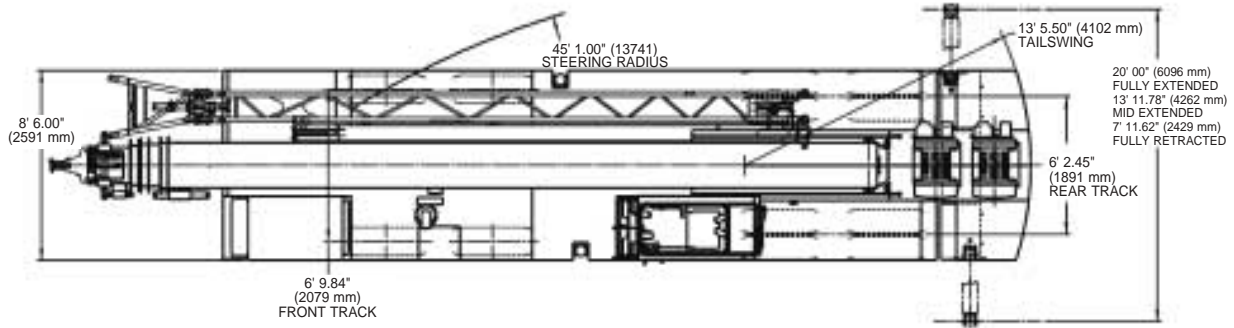
50 Ton Block (3 Sheave)	945	429			
8.3 Ton Ball	300	136			
Swingaway Jib 33' – 56' Bifold Extension	2,587	1 173			
Rooster Sheave	130	59			
Counterweights: 3 @ each	5,500	2 495			
Tire Size: Front: 445/65R22.5 Rear: 315/80R22.5					
Main Load Line 3/4" x 500' (19mm x 152m)	520	236			
Auxiliary Hoist Line 3/4" x 620' (19mm x 152m)	520	236			

TRANSPORTATION

Maximum Speed: 60 km/hr 37.5 mph					
-------------------------------------	--	--	--	--	--

STERLING CRANE

dimensions



Counterweight Configuration	1	2	3
Zero			
5,500 lb. (2 495 kg)	●		
11,000 lb. (4 990 kg)	●	●	
16,500 lb. (7 485 kg)	●	●	●

Load Chart Configuration – 360°

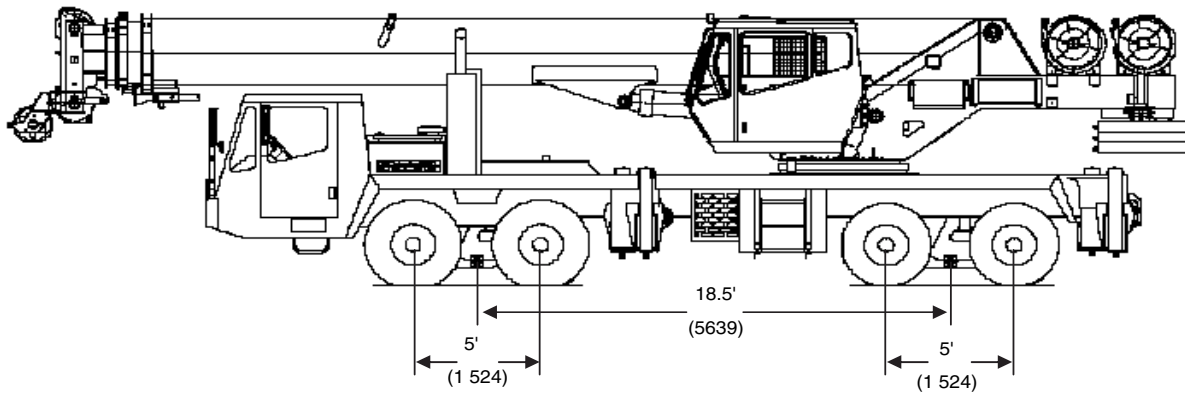
	16,500 lb.	11,000 lb.	5,500 lb.	0 lb.
Main Boom	× ■ ● □	× ■ ● □	× ■ ● □	× ■ ● □
33 ft. Swingaway	× ■	× ■	× ■	× ■
56 ft. Swingaway	× ■	× ■	× ■	× ■
76 ft. Boom extension (56 ft. + 20 ft. insert)	×	×	×	×
96 ft. Boom extension (56 ft. + 40 ft. insert)	×	×	×	×

Outrigger Span Rubber 20 ft. = × 14 ft. = ■ 8 ft. = ●
P&C = □

STERLING CRANE

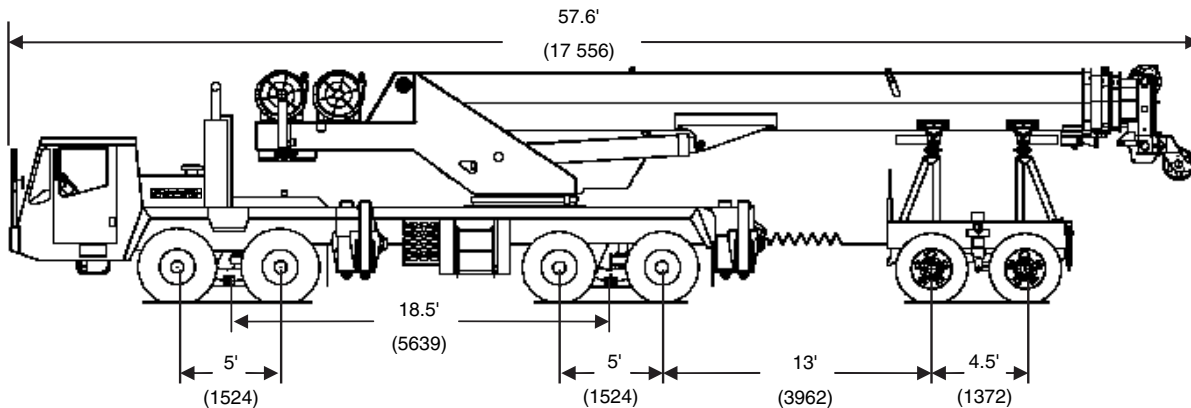
travel proposals

Boom over front



Unit Configuration lb. (kg)	Gross	Front	Rear
Basic machine including 110 ft. (33.5 m) main boom, main and auxiliary hoists with cable, driver and no counterweight.	74,712 (33 889)	37,097 (16 827)	37,615 (17 062)
Additions:			
5,500 lb. (2 495 kg.) counterweight pinned on superstructure	5,500 (2 495)	-2,214 (1 004)	7,714 (3 499)
11,000 lb. (4 990 kg.) counterweight pinned on superstructure	11,000 (4 990)	-4,428 (2 009)	15,428 (6 998)
16,500 lb. (7 485 kg.) counterweight pinned on superstructure	16,500 (7 484)	-6,642 (3 013)	23,142 (10 497)
5,500 lb. (2 495 kg.) counterweight stowed on carrier deck	5,500 (2 495)	4,692 (2 128)	808 (367)
11,000 lb. (4 990 kg.) counterweight stowed on carrier deck	11,000 (4 990)	9,384 (4 257)	1,616 (733)
Swingaway carrier brackets	330 (150)	282 (128)	48 (22)
33 ft. (10.1 m) swingaway	1,730 (785)	1,972 (895)	-242 (-110)
33 - 56 ft. (10.1 - 17.1 m) swingaway	2,480 (1 125)	2,502 (1 135)	-22 (-10)
Auxiliary boom nose	130 (59)	251 (114)	-121 (-55)
40 ton (35 mt) hookblock stowed in trough	800 (363)	1,142 (518)	-342 (-155)
50 ton (45 mt) hookblock stowed in trough	1,000 (454)	1,428 (648)	-428 (-194)
60 ton (55 mt) hookblock stowed in trough	1,250 (567)	1,785 (810)	-535 (-243)
8.3 ton (7.5 mt) headache ball stowed in trough	371 (168)	530 (240)	-159 (-72)
Air conditioning superstructure cab	285 (129)	10 (5)	275 (125)
Air conditioning chassis cab	88 (40)	115 (52)	-27 (-12)

Trailing boom dolly



Unit Configuration lb. (kg)	Gross	Front	Rear	Dolly
Basic machine including 110 ft. (33.5 m) main boom, main and auxiliary hoists with cable, driver, no counterweight and 6,000 lb. (2 722 kg.) tandem axle dolly.	80,737 (36 622)	33,479 (15 186)	29,275 (13 279)	17,983 (8 157)
Additions:				
5,500 lb. (2 495 kg.) counterweight stowed on carrier deck.	5,500 (2 495)	4,692 (2 128)	808 (367)	0 (0)
11,000 lb. (4 990 kg.) counterweight stowed on carrier deck.	11,000 (4 990)	9,384 (4 257)	1,616 (733)	0 (0)
33 ft. (10.1 m) swingaway with brackets.	2,060 (934)	281 (128)	239 (108)	1,540 (699)
33 - 56 ft. (10.1 - 17.1 m) swingaway with brackets.	2,810 (1 275)	384 (174)	326 (148)	2,100 (953)
Auxiliary boom nose	130 (59)	-24 (-11)	-20 (-9)	174 (79)
40 ton (35 mt) hookblock hanging at boom nose.	800 (363)	-126 (-57)	-107 (-49)	1,033 (469)
50 ton (45 mt) hookblock hanging at boom nose.	1,000 (454)	-157 (-71)	-134 (-61)	1,291 (586)
60 ton (55 mt) hookblock hanging at boom nose.	1,250 (567)	-197 (-89)	-167 (-76)	1,614 (732)
8.3 ton (7.5 mt) headache ball hanging at boom nose.	371 (168)	-58 (-26)	-50 (-23)	479 (217)