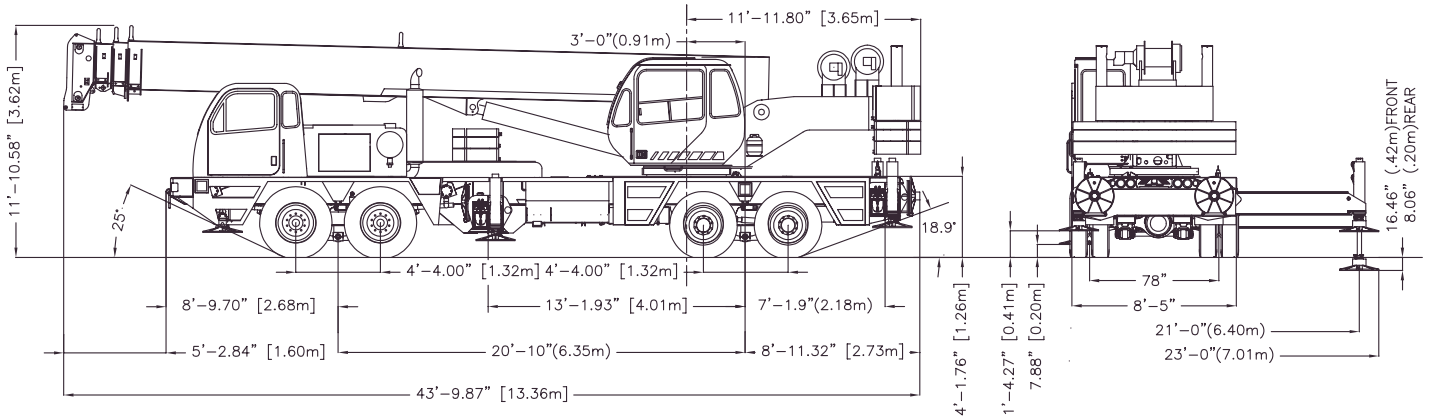


STERLING CRANE

GENERAL DIMENSIONS



WEIGHTS & AXLE LOADS	GROSS WEIGHT LBS.	UPPER IN TRAVEL POSITION		GROSS WEIGHT LBS.	UPPER IN TRAVEL POSITION	
		FRONT	REAR		FRONT	REAR
Basic Crane with 60 Serries Engine, 110'(33.52m) Boom, 360° Mechanical House Lock, 4,500 lb (2,041 kg) Cwt, 1/4 tank of fuel, 425/65R22.5 Load Range L Front & 11R22.5 Load Range G with Alluminum Disc Wheels, and 200 lb. Operator in Cab	72281	33168	39112	32785	15181	17741
Add options						
32' (9.68) Swing-on jib	1270	1194	76	583	548	35
33'-57' (10.7m-17.37m) Swing on jib	2170	1922	248	996	882	114
Auxiliary Boom Head	100	168	-68	46	77	-31
3,000 lb Counterweight Slab on Superstructure	3000	-1102	4102	1360	-500	1860
4,000 lb Counterweight Slab on Superstructure	4000	-1470	5470	1814	-667	2481
5,000 lb Counterweight Slab on Superstructure	5000	-1837	6837	2267	-833	3101
3,000 lb Counterweight Slab on Crane Deck	3000	1026	1974	1360	465	895
4,000 lb Counterweight Slab on Crane Deck	4000	1367	2633	1814	620	1194
5,000 lb Counterweight Slab on Crane Deck	5000	1709	3291	2267	775	1493
Full Tank of Fuel	545	244	301	250	112	138
Aux Winch with Drum Roller and Wire Rope	87	51	36	40	23	17
Heater/Defroster (Upper)	60	4	56	28	2	26
Work Lights	35	8	27	16	4	12
Pintle Hook (Rear)	100	-30	130	46	-14	60
Electric Remote Control	200	100	100	92	46	46
60 Ton (45.3. Mt) Quick Reeving Hook Block (Tied to Bumper - 5 Sheave)	1157	1839	-688	531	844	-316
40 Ton (36.7 mt) Quick Reeving Hook Block (Tied To Bumper - 4 Sheave)	690	1104	412	317	507	189
7 Ton (6.3 mt) Hook and Ball (Tied to Bumper)	340	383	143	156	176	66
Spin Resistant Wire Rope (Main Winch)	90	-19	109	41	-9	50
Spin Resistant Wire Rope (Aux Winch)	90	-27	117	41	-12	54
Air Conditioning (Lower Cab)	100	112	-12	46	51	-6
Air Conditioning (Upper Cab)	150	-8	158	69	-4	73

Note: weights are for factory supplied equipment and subject to 2% variation due to manufacturing tolerances