

STERLING CRANE

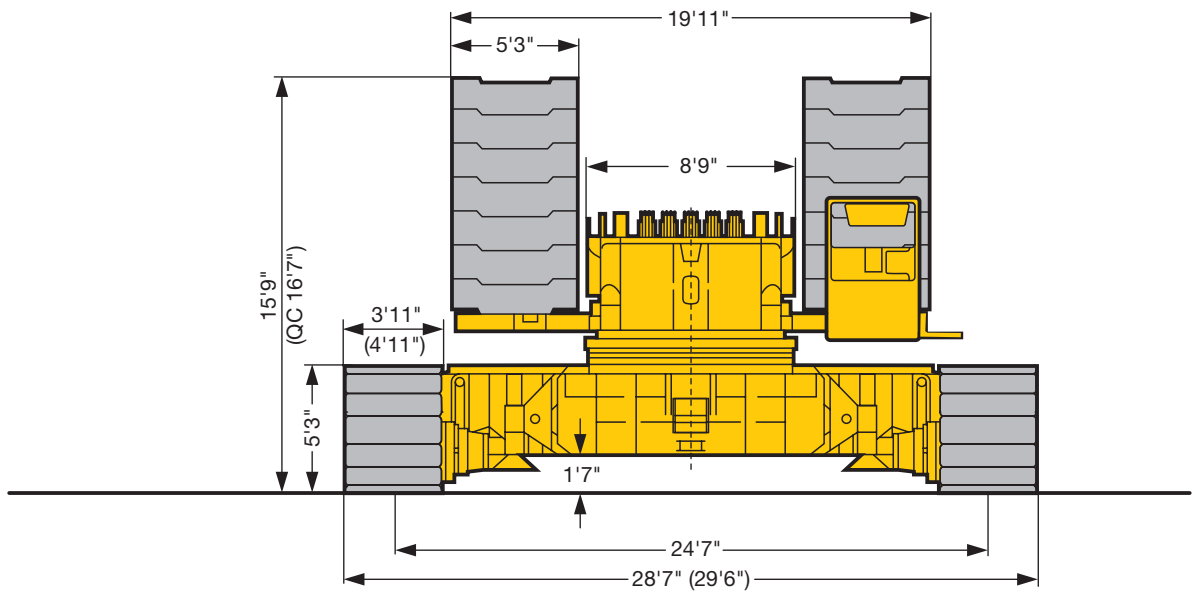
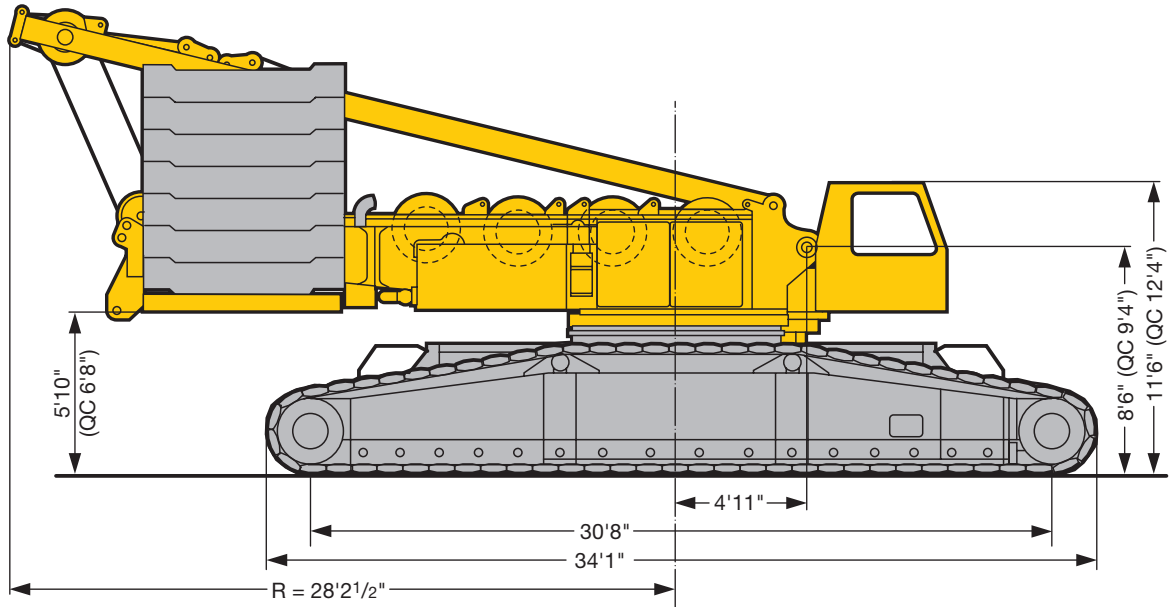


TRANSPORTATION SPECS - Crawler Cranes LIEBHERR MODEL LR 1400/2 - 440 TON CAPACITY

<u>COMPONENT WEIGHTS</u>	<u>LBS.</u>	<u>KGS.</u>	<u>MAIN BOOM "S" 69' TO 275.6'</u> <u>9'2" X 7'11"</u>	<u>LBS.</u>	<u>KGS.</u>
Complete Crane C/W 275' "S" Main Boom 298,000 lb Main Cwt, 95,000lb Carbody Cwt, 3 sheave block	785,641	356,279	Butt Section 13.9m c/w w5& cable	30,865	14,000
			Insert 7m (2620.20)	8,157	3,700
Superstructure with, w1 & w2 (40'5" x 9'10" x 6'7")	91,492	41,500	Insert 14m (2620.20) 3 pcs. each	15,212	6,900
Carbody (21'4" x 9'10" x 4'11")	98,500	44,679	Insert 14m (2620.20) for fly assembly	17,417	7,900
Crawlers (34'2" x 5'3" x 5'3") 2 pc. each	38,581	17,500	Transition Section 7m	7,937	3,600
			Sw Reducer 4.6m	3,968	1,800
			S End Section 400t	8,378	3,800
<u>COUNTERWEIGHTS</u>					
298,000lb (135t) Upper Cwts.					
2 – Cwt Base Frames each	6,835	3,100	<u>MAST "D" 91.8'</u>		
2 – Cwt Ballast Plates (8'2" x 5'3" x 10") each	11,025	5,000	<u>8'2" x 6'7"</u>		
12– Cwt Ballast Plates (8'2" x 5'3" x 1'6") each	22,050	10,000			
95,000lb (43t) Carbody Cwts			Butt Section 10.5m c/w drum & cable	31,967	14,500
2 – Cwt Ballast Plate 1 (19'4" x 3'11" x 6")	12,567	5,700	Insert 7m (2115.20)	5,953	2,700
4 – Cwt Ballast Plate 2 (10'2" x 2'11" x 1'8") each	17,637	8,000	Tip Section 10.5m	11,905	5,400
551,200lb (250t) Superlift Cwts					
25 – Cwt Ballast Plates (8'2" x 5'3" x 1'6") each	22,050	10,000	<u>LUFFING JIB "W" 92' TO 298.6'</u> <u>7'11 x 6'3"</u>		
<u>ADDITIONAL INFORMATION</u>					
400t/200t Hook Block, 18 Sheave	17,571	7,970	Butt Section 10.5m	31,085	14,100
100t Hook Block, 3 Sheave	4,321	1,960	Insert 7m (2116.20) 2 pcs each	3,748	1,700
40t Hook Block, 1 Sheave	2,205	1,000	Insert 14m (2116.20) 4 pcs. each	6,614	3,000
12t Ball	1,543	700	Tip Section 10.5m	7,276	3,300
Hanging Cwt Tray (22'0" x 6'11" x 4'11")	24,913	11,300			
Wheeled Cwt Tray (27'11" x 8'3" x 8'6")	59,084	26,800			
Rooster Sheave Assembly	1,102	500			
Buggy Stinger	21,165	9,600			
Erection Cart	1,103	500			
9 Sheave Roller Set	6,283	2,850			
9 Sheave Roller Set	6,240	2,830			
Winch 1	9,260	4,200			
Winch 2	9,260	4,200			
Winch 6	5,512	2,500			

STERLING CRANE

Dimensions



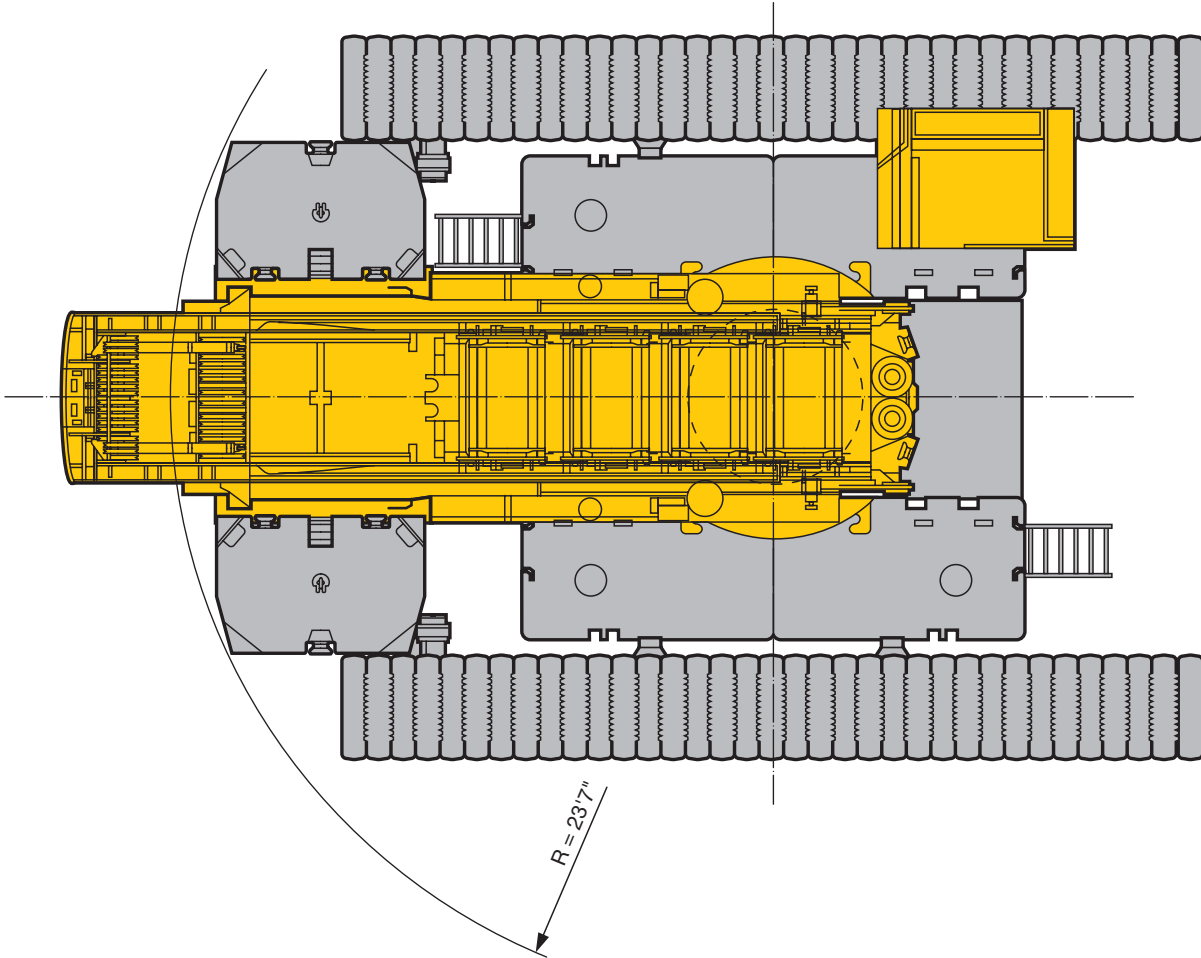
S1526

() Pad width 4'11"

QC = Quick connection

STERLING CRANE

Dimensions



S1527