

# STERLING CRANE



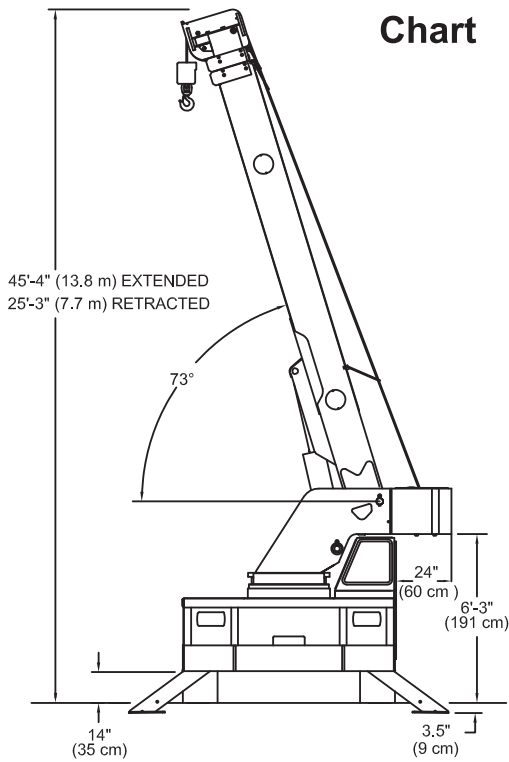
## TRANSPORTATION SPECS - Carry Decks

### BRODERSON MODEL IC-200-2H/3H - 15 TON CAPACITY

<u>COMPONENT WEIGHTS</u>		<u>LBS.</u>	<u>KGS.</u>
Complete Crane 2H (incl. block, ball & jib)	(1)	28,500	12,940
Complete Crane 3H (incl. block, ball & jib)	(2)	31,080	14,110
 <u>ADDITIONAL INFORMATION</u>			
15 Ton/13.6 mT Block		204	92.5
3.75 Ton Ball		125	57
15' Jib (2H)		670	304
16' Jib (3H)		550	249
Main Load Line (1/2" x 240' – 2H) (1/2" x 291' – 3H)			
 <u>TRANSPORTATION</u>			
<u>Alberta, British Columbia and Saskatchewan</u>		<u>Weight</u>	<u>Trailer</u>
<input type="checkbox"/> All Seasons		(1) or (2)	LTL

# STERLING CRANE

## IC-200-2H Chart



## IC-200-3H Chart

