



TRANSPORTATION SPECS - Boom Trucks

NATIONAL MODEL 681C - 17 TON CAPACITY

COMPONENT WEIGHTS

	<u>LBS.</u>	<u>KGS.</u>
Complete Crane and Truck (Swing-away Jib & Wood Deck)	35,800	16 273
Crane Only With Jib	14,550	6 614

ADDITIONAL INFORMATION

Fixed Jib (23'-43')	900	409
Block (Single Sheave) 12.5 Ton	182	83
7 Ton Ball	109	50
Deck, wood 8' x 18'		

TRANSPORTATION

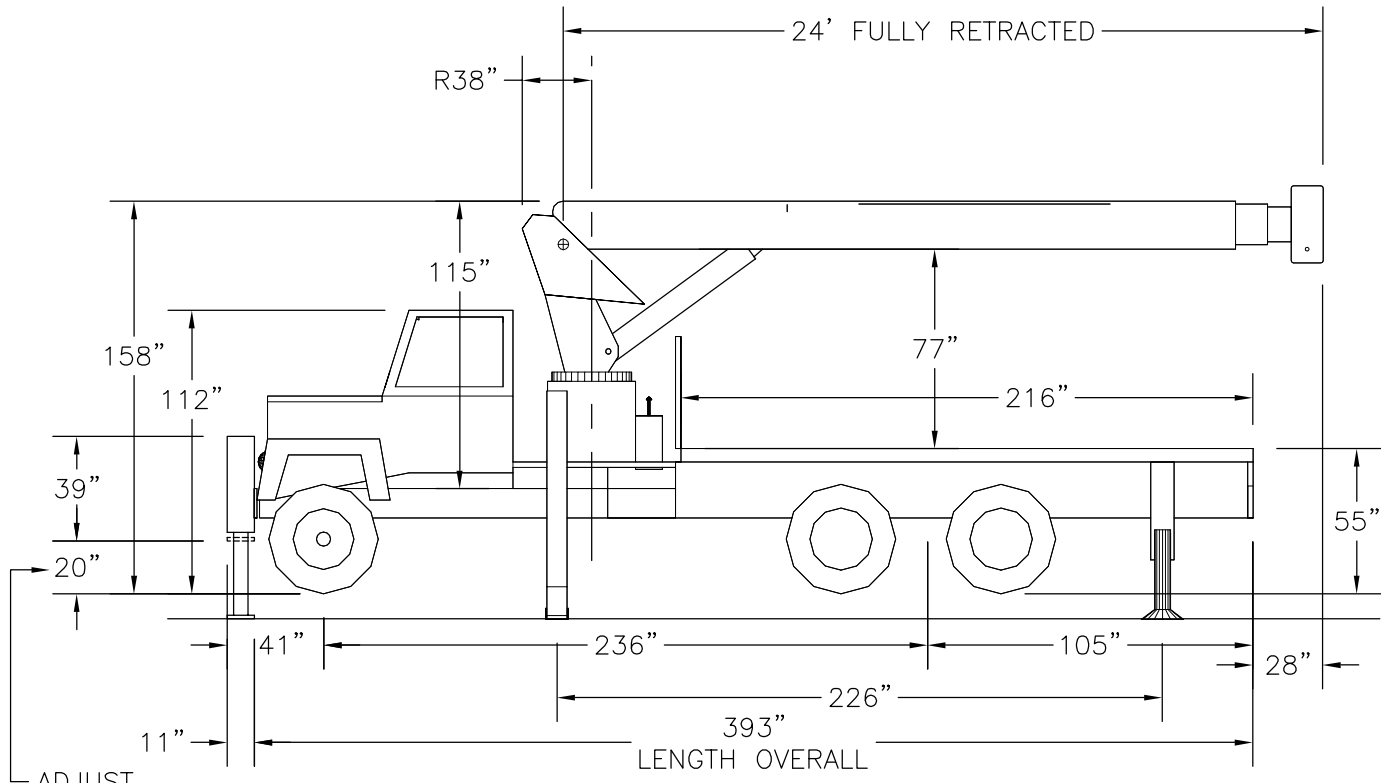
Average Driving Speed 80 km/hr

ALL PROVINCES

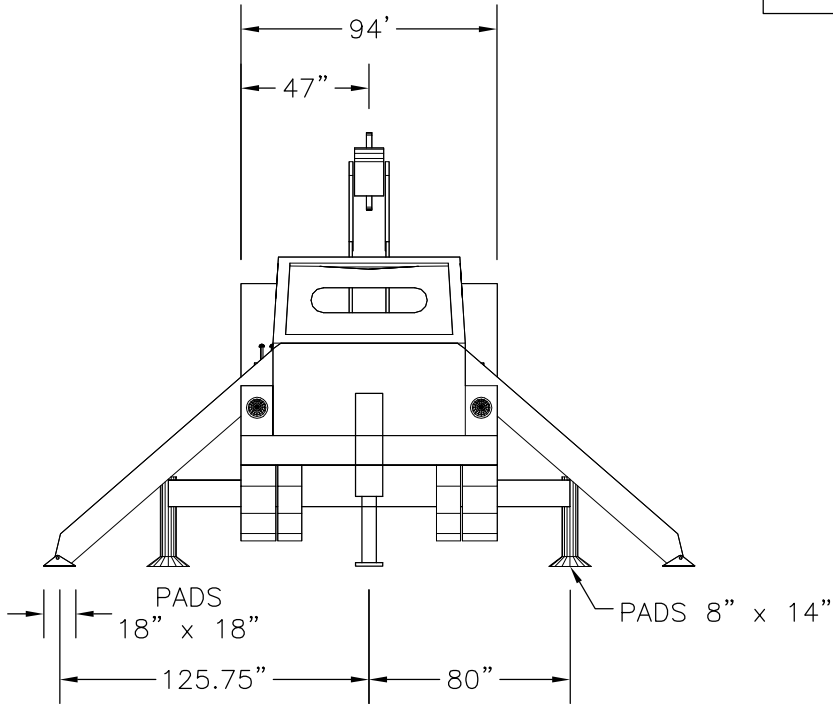
- All Season Drive

STERLING CRANE

DIMENSIONS

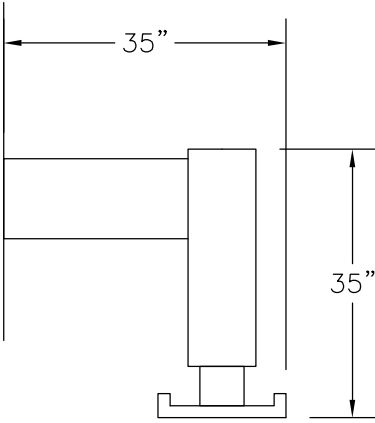


BOOM TRUCK =	OVERHANG	DECK
11-7-1000	N/A	18'
11-7-1001	N/A	18'



FRONT STABILIZER

REAR STABILIZER



REAR STABILIZER
26" STROKE