

STERLING CRANE



TRANSPORTATION SPECS - Boom Trucks

NATIONAL MODEL 13100H - 30 TON CAPACITY

COMPONENT WEIGHTS

	<u>LBS.</u>	<u>KGS.</u>		
Complete Crane & Truck (2006 Sterling LT7500)	46,060	20 892		

ADDITIONAL INFORMATION

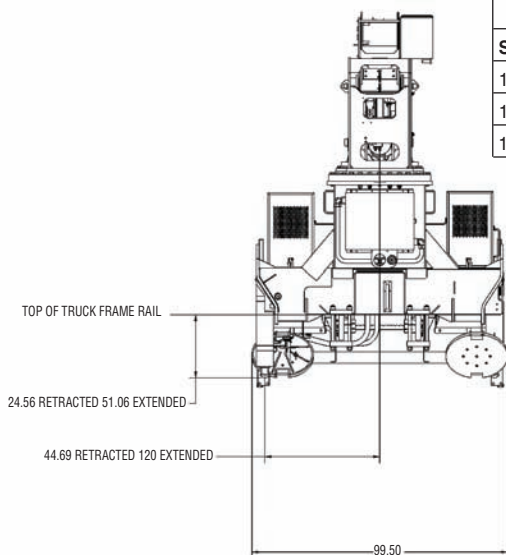
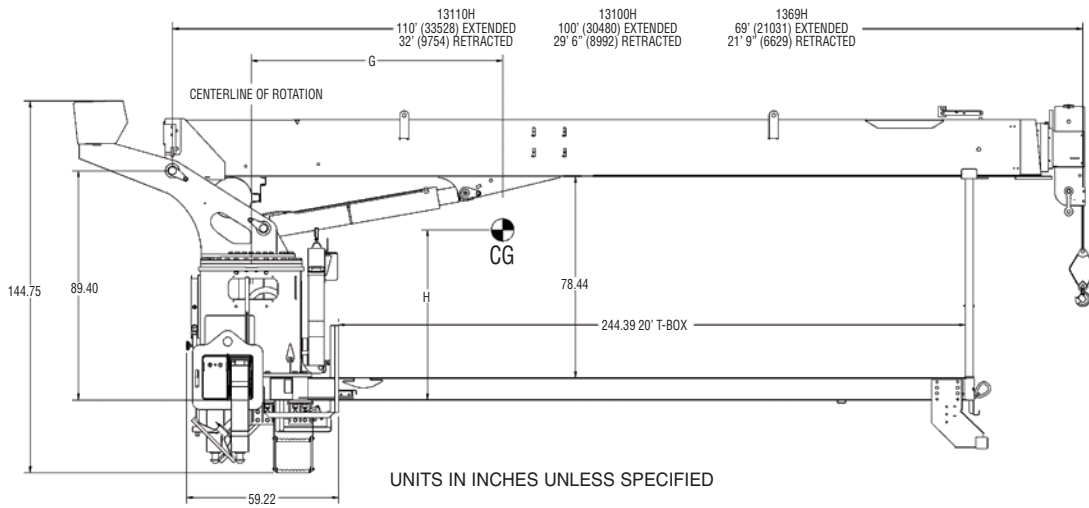
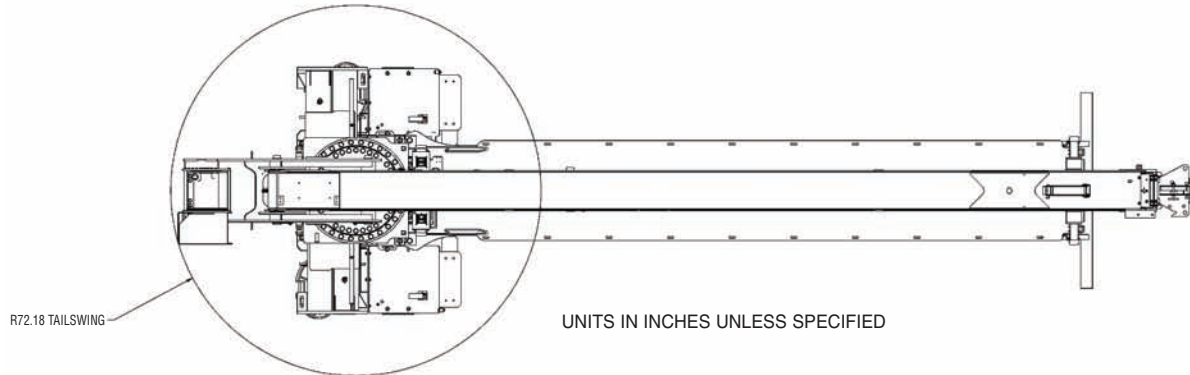
25' – 44' Tele Swingaway Jib	1,470	667		
22 Ton Block (2 sheave)	350	158		
Ball	150	68		
Tire Size: Front: 425/65R22.5 Rear: 11R22.5				

TRANSPORTATION

Max. Driving Speed	50 mph	80 km/hr		
--------------------	--------	----------	--	--

STERLING CRANE

dimensions



G CENTER OF GRAVITY FROM CENTERLINE				
Series	G	H	DRY WEIGHT*	W/OIL WEIGHT*
1369H	61.2 in [155 cm]	59.8 in [152 cm]	18,462 lb [8,374 kg]	19,196 lb [8,707 kg]
13100H	89.1 in [226 cm]	64.1 in [163 cm]	20,608 lb [9,348 kg]	21,342 lb [9,681 kg]
13110H	98.7 in [251 cm]	65.4 in [166 cm]	21,346 lb [9,682 kg]	22,080 lb [10,015 kg]

* ABOVE WEIGHTS DO NOT INCLUDE RESERVOIR, RSOD, JIB, PTO, PUMP, BED

** WEIGHT INCLUDES BOOM, WINCH, ROPE, TURRET, LIFT CYLINDER, FRAME, CONTROLS, OUTRIGGERS, PLATFORMS, TORQUE BOX, BOOM REST, BUMPER, DOWNHAUL WEIGHT

UNITS IN INCHES UNLESS SPECIFIED