



TRANSPORTATION SPECS - All Terrain Cranes

LIEBHERR MODEL LTM 1250/1 - 300 TON CAPACITY

COMPONENT WEIGHTS

	<u>LBS.</u>	<u>KGS.</u>	<u>COUNTERWEIGHTS</u>	<u>LBS.</u>	<u>KGS.</u>
Main Unit c/w Fly Jib	158,731	72 000	Base Plate (9'10" x 8'3" x 3'2")	22,046	10 000
Main Unit	152,955	69 380	Cwt. (9'10" x 8'3" x 1')	27,558	12 500
Boom Dolly – TBA			Cwt. (9'10" x 8'3" x 1'2")	27,558	12 500
			Cwt. (9'10" x 8'3" x 1'3")	27,558	12 500
			Cwt. (7'7" x 3'5" x 5'5")	27,558	12 500
			Cwt. (7'7" x 3'5" x 5'5")	27,558	12 500
			Cwt. (5'11" x 4'2" x 5'5")	27,558	12 500
			Cwt. (5'11" x 4'2" x 5'5")	27,558	12 500
			TOTAL	214,949	97 500

ADDITIONAL INFORMATION

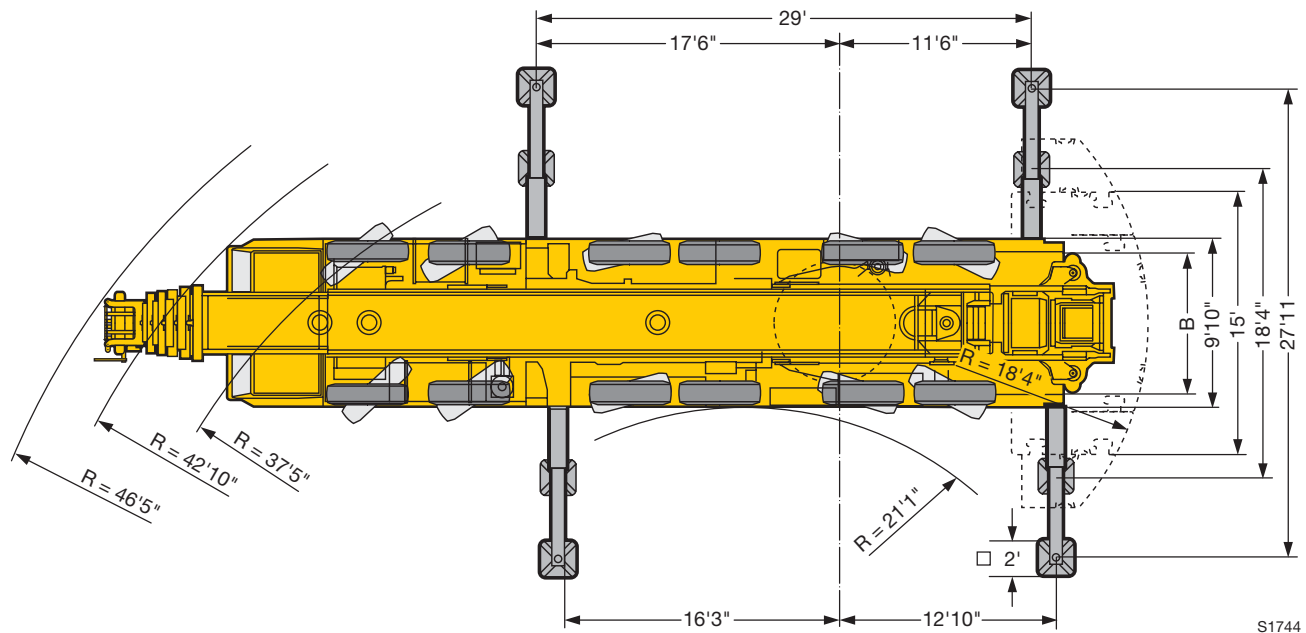
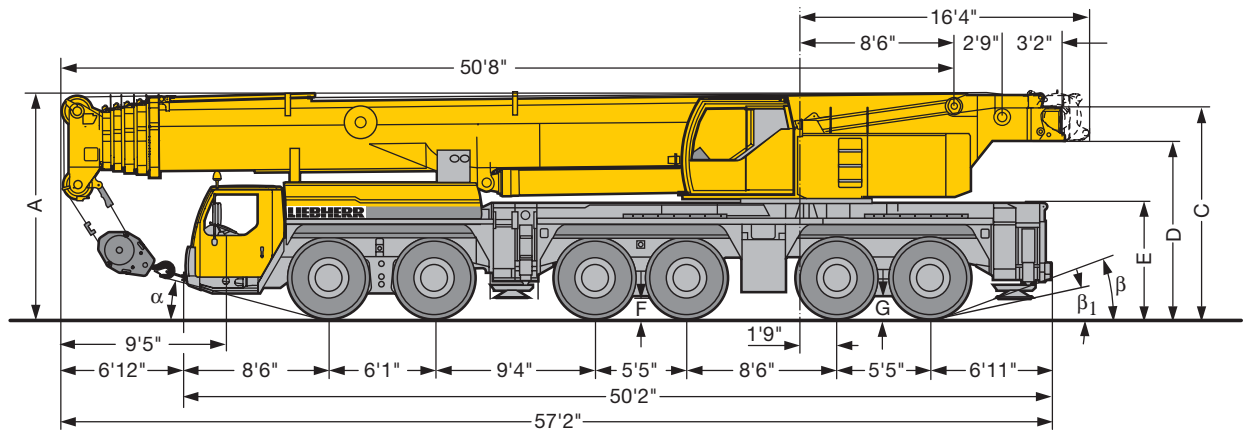
			<u>LUFFING JIB</u>		
176 Ton 7 Sheave DJ Block	3,748	1 700	Jib Adapter (23' x 5'7" x 5'5")	3,020	1 370
137 Ton 5 Sheave DJ Block	3,307	1 500	Assembly Unit (44' x 6'5" x 7'9")	13,184	5 980
88 Ton 3 Sheave DJ Block	2,866	1 300	3 – 7m Inserts (24'7" x 5'7" x 4'2")	3,197	1 450
35 Ton Single Sheave Block	1,852	840	3.5m Insert (11'6" x 5'7" x 4'3")	926	420
13 Ton Ball	1,100	500	7m Insert (24' x 5'7" x 4'7")	1,698	770
Swingaway Jib (42' x 3'6" x 6'4")	5,115	2 320	Reducer (6'11" x 4'3" x 4'3")	595	270
2 Jib Ext. (23'4" x 4'5" x 3'6") each	2,358	1 070	Tip (25'5" x 5' x 4'7")	2,293	1 040
Auxiliary Winch c/w Rope	7,033	3 190			
4 – Steel 6' x 8' Mats	10,080	4 580			

Tire Size 20.5R25


All Provinces / All Seasons:

Cwt – Zero	Tandem
Cwt – 22,500 lb.	Tandem
Cwt – 49,200 lb.	Tridem
Cwt – 77,000 lb.	2 Tridems
Cwt – 104,500 lb.	Super B & Tandem
Cwt – 132,000 lb.	Super B & Tridem
Cwt – 187,400 lb.	2 Super Bs & Tandem
Cwt – 214,900 lb.	2 Super Bs & Tridem

Dimensions Encombrement



S1744

		Dimensions / Encombrement										
		A	A	B	C	D	E	F	G	α	β	β_1
 16.00 R 25 * lowered / abaissé		13'1"	0'6" 12'8"	8'4"	12'4"	10'	6'9"	1'3"	1'6"	17°	19°	13°