



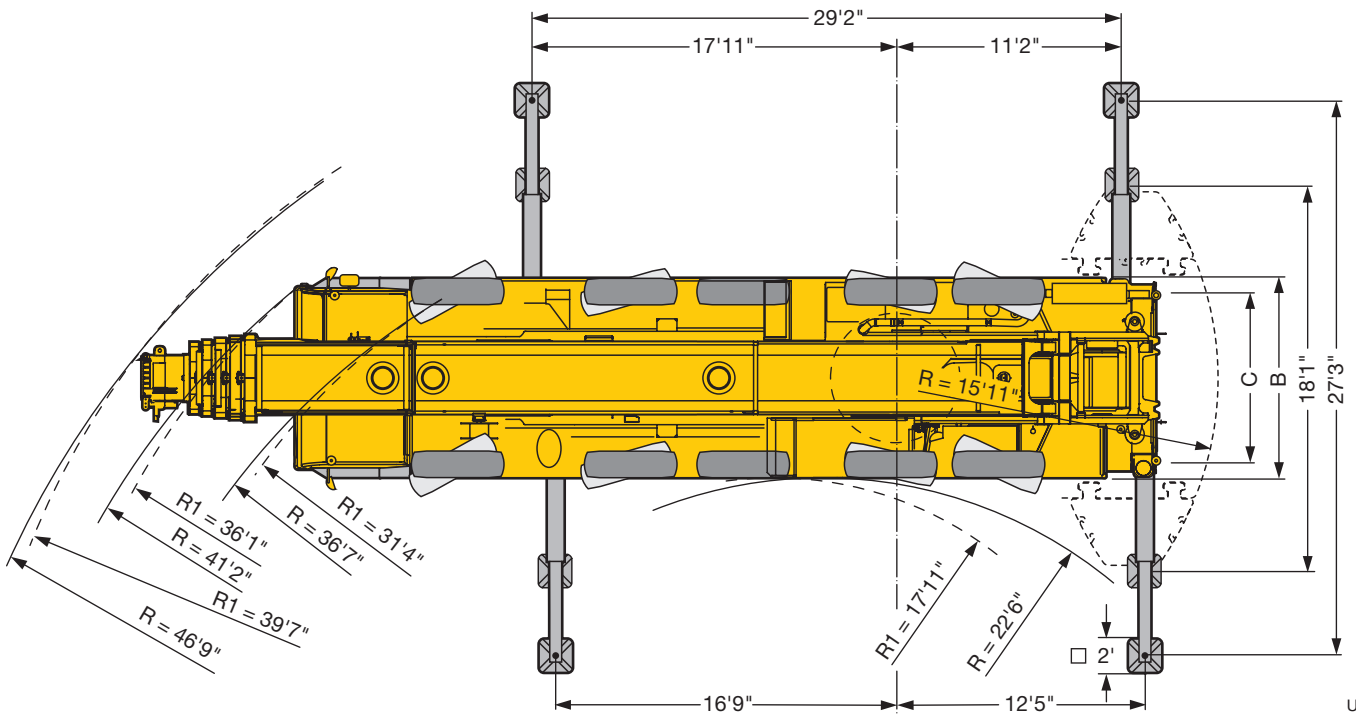
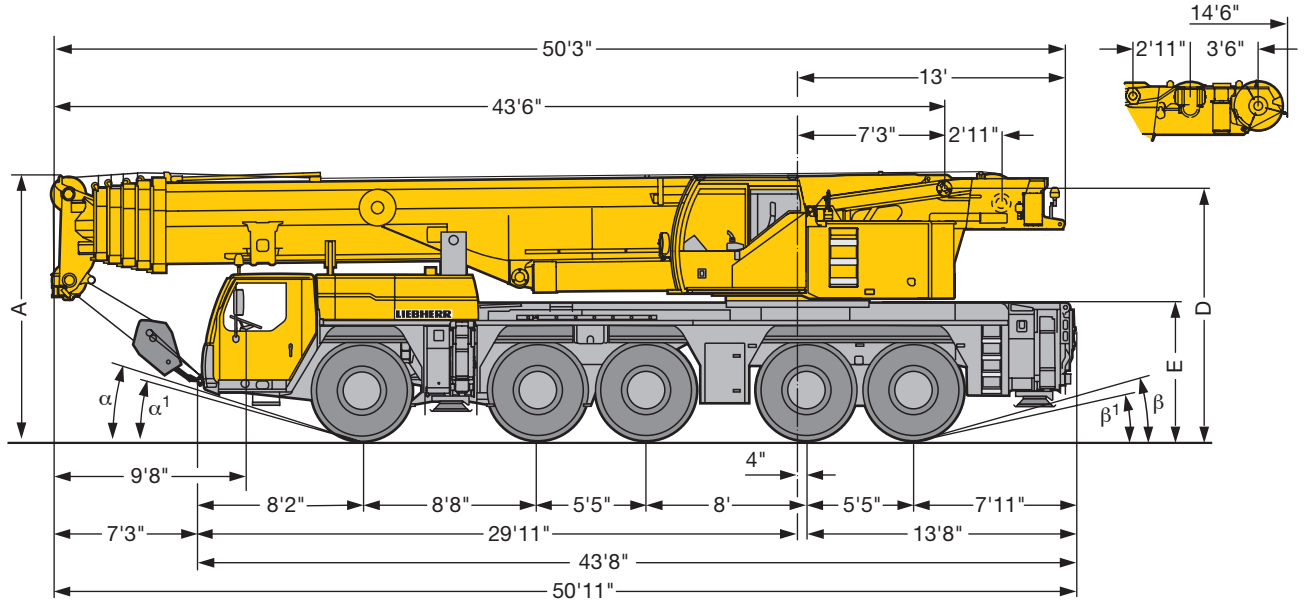
## TRANSPORTATION SPECS - All Terrain Cranes

### LIEBHERR MODEL LTM 1220-5.2 - 270 TON CAPACITY

<u>COMPONENT WEIGHTS</u>	<u>LBS.</u>	<u>KGS.</u>	<u>COUNTERWEIGHTS</u>	<u>LBS.</u>	<u>KGS.</u>
Main Unit c/w Folding Jib & 26,500 lb cwt. 80mT block and ball	167,993	76,200	1 Base Cwt. 12.0 t	26,455	12,000
Main Unit (No Counterweight)	132,278	60,000	2 Cwt. 10.0 t	22,046	10,000
			3 Cwt.10.0 t	22,046	10,000
			4 Cwt. 10.0 t	22,046	10,000
			5 Cwt.12.0 t	26,455	12,000
			6 Cwt 10.0 t	22,046	10,000
			7 Cwt 10.0 t	22,046	10,000
			<b>TOTAL COUNTERWEIGHT</b>	<b>163,140</b>	<b>74,000</b>
<b><u>ADDITIONAL INFORMATION</u></b>					
Hook Block 125 mT (5 Sheave)	2,756	1,250			
Hook Block 80 mT (3 sheave)	2,205	1,000			
Hook Block 32 mT (1 sheave)	1,852	840			
Ball 12.5 mT	1,103	500			
Double Folding Jib	5,953	2,700			
7m Jib Insert (2 Total)      Each	1,323	600			
4 – 5' x 7' Steel Mats	6,000	2,727			
Tire Size 20.5 R25					

# STERLING CRANE

## Dimensions Encombrement



US1969

R<sub>1</sub> = All-wheel steering · Direction toutes roues

	Dimensions / Encombrement									
	A	A 6" *	B	C	D	E	$\alpha$	$\alpha_1$	$\beta$	$\beta_1$
16.00 R 25	13'1"	12'8"	9'10"	8'4"	12'4"	6'9"	20°	16°	17°	14°
20.5 R 25	13'1"	12'8"	10'2"	8'5"	12'4"	6'9"	20°	16°	17°	14°

\* lowered / abaissé