



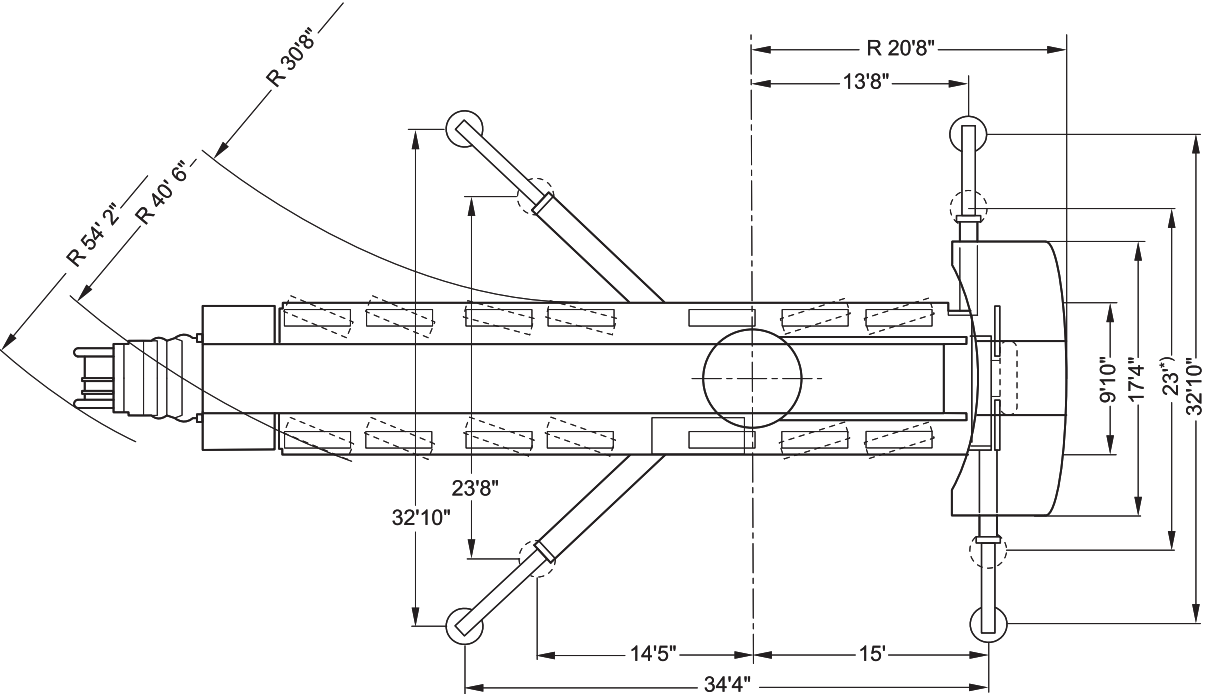
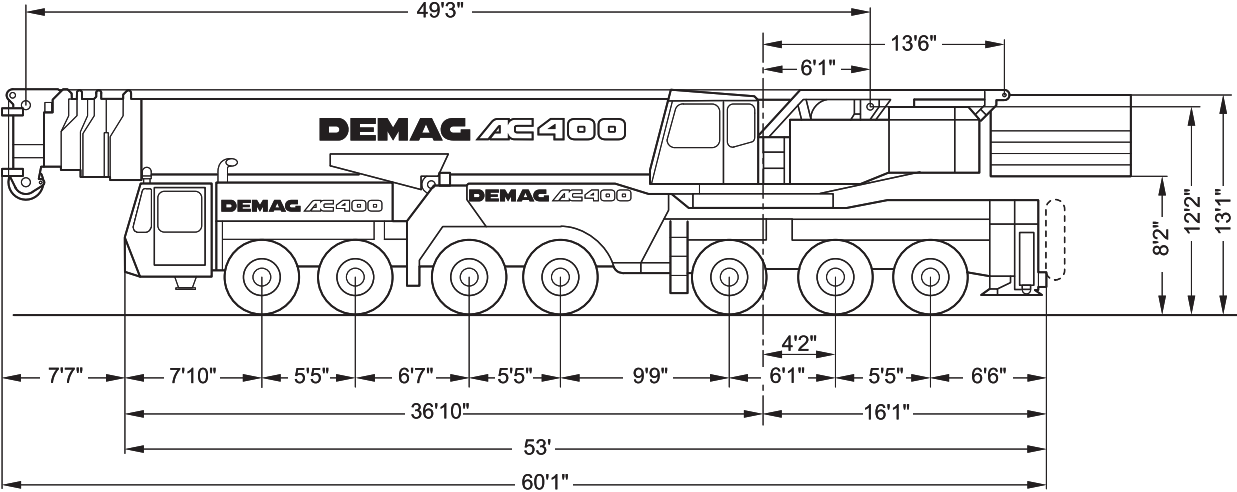
## TRANSPORTATION SPECS - All Terrain Cranes

### DEMAG MODEL AC 400 - 500 TON CAPACITY

<u>COMPONENT WEIGHTS</u>	<u>LBS.</u>	<u>KGS.</u>	<u>JIB O.D. 57" x 56"/79" X 85"</u>	<u>LBS.</u>	<u>KGS.</u>
Complete Crane (Incl. Block and Maximum CWT)	453,900	205 887	Fixed Fly 25.5' – 65' – 104.5' – 144' – 177' Luffing Fly 65' – 104.5' – 144' – 183.5' - 216.5' – 256'		
Main Unit c/w Outriggers (No cwt and block)	179,840	81 575			
Counterweight Minimum	0	0	<u>JIB COMPONENTS WEIGHTS</u>		
Counterweight Maximum	269,000	122 017	Butt 3 m	3,968	1 800
			Insert 12 m	5,517	2 502
			Transition 3 m	1,543	700
			Insert 12 m	4,629	2 100
			Insert 12 m	4,409	2000
			Hammerhead Tip 2 m	2,205	1 000
			Taper Tip 12m 2 Pieces, each	2,645	1 200
			Luffing Mast	4,630	2 100
<u>ADDITIONAL INFORMATION</u>					
250 Ton Hook Block (11 Sheave)	7,056	2 100			
40 Ton Hook Block (Single Sheave)	1,764	800			
Mats (4) 6' 10' each	3,000	1 361			
Superlift Mast 1.6 lb. / ft.	1,322	600			
Main Load Line (24mm x 470m)	2,605	1 181			
Auxiliary Load Line (24mm x 420m)	2,328	1 056			
Spare Tire / Rim (17.5R25)	671	305			
<u>COUNTERWEIGHTS</u>					
Counterweight Frame (Incl. Winch)	1,543	700			
Intermediate Plate	2,865	1 300			
Additional Slab Right (8x)	1,433	650			
Additional Slab Left (8x)	1,433	650			
<u>TRANSPORTATION</u>					
Average Driving Speed		60Km/hr			
<u>Ontario</u>					
• All Seasons		Drive			

# STERLING CRANE

## Dimensions



\*) Duties with reduced outrigger base on request